

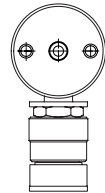
PRODUCT OVERVIEW


PRODUCT	MODEL	CAPACITY (TON)	PAGE NUMBER
Single Acting Cylinders	C	5-100	4-5
Single Acting Low Profile Cylinders	CP	5-150	6
Single Acting Telescopic Cylinders	CPT	5-50	7
Single Acting Mid Profile Cylinders	CM	10-100	8
Single Acting Locknut Pancake Cylinders	CPL	60-520	9
Single Acting Aluminium Cylinders	CA	20-100	10
Single Acting Aluminium Locknut Cylinders	CAL	20-100	11
Single Acting Aluminium Hollow Cylinders	CHA	30-60	12
Single Acting Hollow Cylinders	CH	12-100	13
Double Acting Hollow Cylinders	CHD	30-100	14
Double Acting Aluminium Hollow Cylinders	CHAD	30-60	15
Double Acting Cylinders	CD	10-1000	16-17
Single Acting Locknut Cylinders	CL	50-1000	18

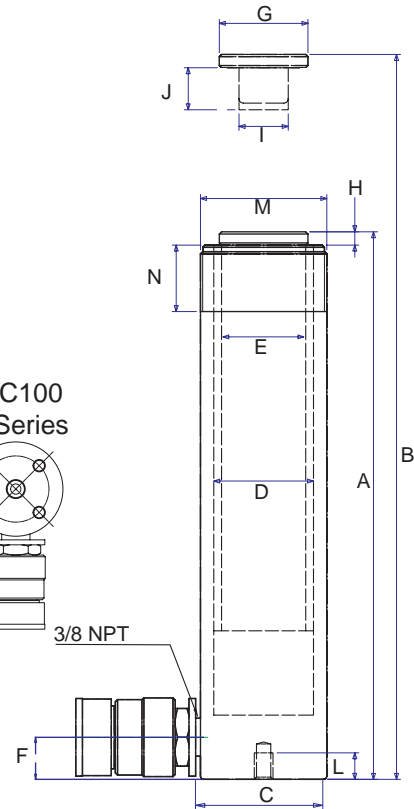
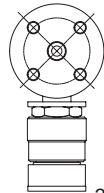


Meets or exceeds
ASME B30.1

C5-C50
Series



C100
Series



MODEL: C-SERIES

- Single Acting - Spring Return
- Capacity : 5 - 100 Ton
- Stroke : 25mm - 364mm
- Maximum working pressure : 10,000 psi / 700 Bar

FEATURES

- Single Acting with spring return
- Hard chrome plated piston rod
- Cylinder bore is roller burnished for extended life
- Cylinder body fully nitrided and painted for rust protection

BASE HOLE DIMENSIONS

Cyl ton	No Holes	Thread UNC	B.C. Ø mm
5	2	1 1/4"-20	25.4
10	2	5/16"-18	39.6
15	2	3/8"-16	47.8
25	2	1/2"-13	58.4
50	2	1/2"-13	95.3
100	4	3/4"-10	139.7

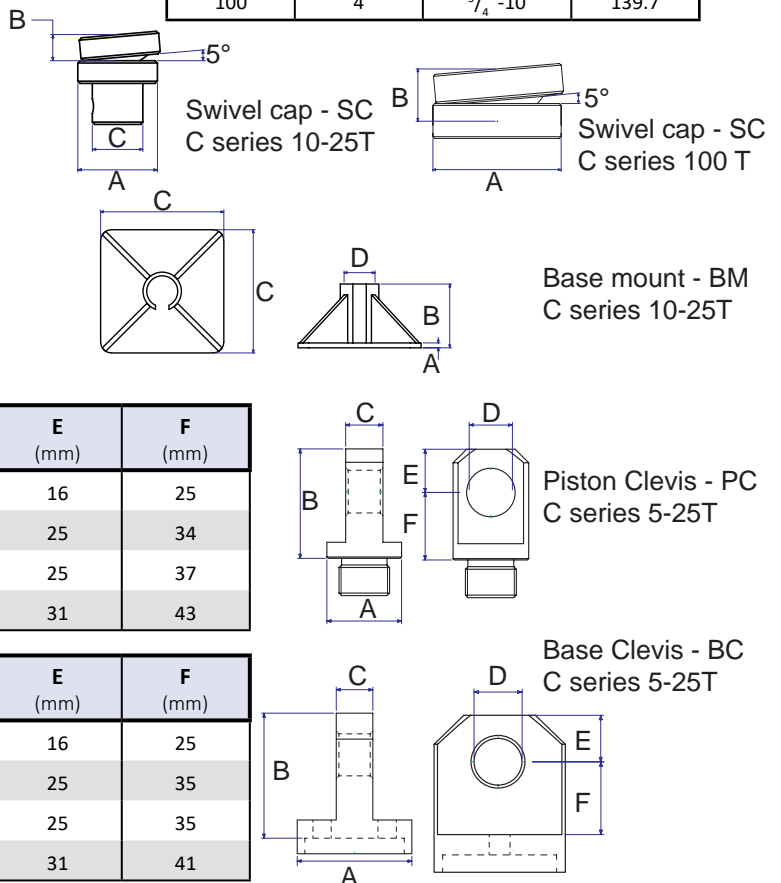
ACCESSORIES

Model	A (mm)	B (mm)	C (mm)
SC10	40	11.5	22.2
SC25	50	14	36.3
SC100	70	28.5	-

Model	A (mm)	B (mm)	C (mm)	D (mm)
BM10	9	123	230	58
BM25	16	128	280	89

Model	A (mm)	B (mm)	C (mm)	D (mm)	E (mm)	F (mm)
PC5	28	41	14	16	16	25
PC10	43	59	25	22.3	25	34
PC15	43	62	25	22.3	25	37
PC25	57	74	38	31.8	31	43

Model	A (mm)	B (mm)	C (mm)	D (mm)	E (mm)	F (mm)
BC5	44	48	14	16	16	25
BC10	63	67	25	22.3	25	35
BC15	76	67	25	22.3	25	35
BC25	95	79	38	31.8	31	41



SPECIFICATIONS

Model	Cap Ton	Stroke (mm)	Oil Cap (cm ³)	Cylinder Effective Area (cm ²)	A Retracted Height (mm)	B Extended Height (mm)	C Outside Dia. (Ømm)	D Bore Dia. (Ømm)	E (Ømm)	F (mm)	G (mm)	H (mm)	I (ØUN)	J (mm)	L (mm)	M (ØUN)	N (mm)	Weight (kgs)
C51	5	25.4	16.2	6.47	110.2	135.6	38.1	28.7	25.4	19	25.4	6	¾"-16	14.2	14.2	1½"-16	28.7	1
C53		76.2	48.8	6.47	165.1	241.3	38.1	28.7	25.4	19	25.4	6	¾"-16	14.2	14.2	1½"-16	28.7	1.5
C55		127	81.8	6.47	215.9	342.9	38.1	28.7	25.4	19	25.4	6	¾"-16	14.2	14.2	1½"-16	28.7	1.9
C57		177.8	114	6.47	273.1	450.9	38.1	28.7	25.4	19	25.4	6	¾"-16	14.2	14.2	1½"-16	28.7	2.4
C59		231.9	148.6	6.47	323.94	555.8	38.1	28.7	25.4	19	25.4	6	¾"-16	14.2	14.2	1½"-16	28.7	2.8
C101	10	25.4	36.7	14.46	91.9	117.3	57.2	42.9	38.1	19	38.1	6	1"-8	19	12.7	2¼"-14	28.7	1.8
C102		54.1	77.8	14.46	121.4	175.5	57.2	42.9	38.1	19	38.1	6	1"-8	19	12.7	2¼"-14	28.7	2.3
C104		104.9	151.2	14.46	171.5	276.4	57.2	42.9	38.1	19	38.1	6	1"-8	19	12.7	2¼"-14	28.7	3.3
C106		155.7	224.5	14.46	247.7	403.4	57.2	42.9	38.1	19	38.1	6	1"-8	19	12.7	2¼"-14	28.7	4.5
C108		203.2	323	14.46	298.5	501.7	57.2	42.9	38.1	19	38.1	6	1"-8	19	12.7	2¼"-14	28.7	5.5
C1010		257.2	371	14.46	349.3	606.6	57.2	42.9	38.1	19	38.1	6	1"-8	19	12.7	2¼"-14	28.7	6.4
C1012		305.1	439.3	14.46	403.1	708.2	57.2	42.9	38.1	19	38.1	6	1"-8	19	12.7	2¼"-14	28.7	6.8
C1014		364.7	514.6	14.46	450.1	806.5	57.2	42.9	38.1	19	38.1	6	1"-8	19	12.7	2¼"-14	28.7	7.7
C151	15	26.5	63	23.76	124	150.5	73	55	40	19	38	10	1"-8	25.4	12.7	2¾"-16	30.2	3.3
C152		50.8	102.9	20.27	149.4	200.2	69.9	50.8	41.4	24.9	39.9	10	1"-8	25.4	12.7	2¾"-16	30.2	4.1
C154		101.6	206	20.27	200.2	301.8	69.9	50.8	41.4	24.9	39.9	10	1"-8	25.4	12.7	2¾"-16	30.2	5
C156		152.4	308.9	20.27	271.5	423.9	69.9	50.8	41.4	24.9	39.9	10	1"-8	25.4	12.7	2¾"-16	30.2	6.8
C158		203.2	411.8	20.27	322.3	525.5	69.9	50.8	41.4	24.9	39.9	10	1"-8	25.4	12.7	2¾"-16	30.2	8.2
C1510		254	514.9	20.27	373.1	627.1	69.9	50.8	41.4	24.9	39.9	10	1"-8	25.4	12.7	2¾"-16	30.2	9.5
C1512		304.8	617.8	20.27	423.9	728.7	69.9	50.8	41.4	24.9	39.9	10	1"-8	25.4	12.7	2¾"-16	30.2	10.9
C1514		355.6	720.7	20.27	474.7	830.3	69.9	50.8	41.4	24.9	39.9	10	1"-8	25.4	12.7	2¾"-16	30.2	11.8
C251	25	25.4	86	33.19	143.5	168.9	85.1	65	57.2	25.4	50.8	11	1½"-16	25.4	19.1	3⅝"-12	49.3	5.5
C252		50.8	169	33.19	165.1	215.9	85.1	65	57.2	25.4	50.8	11	1½"-16	25.4	19.1	3⅝"-12	49.3	6.4
C254		101.6	338	33.19	215.9	317.5	85.1	65	57.2	25.4	50.8	11	1½"-16	25.4	19.1	3⅝"-12	49.3	8.2
C256		158.7	528.2	33.19	273.1	431.8	85.1	65	57.2	25.4	50.8	11	1½"-16	25.4	19.1	3⅝"-12	49.3	10
C258		209.5	697.3	33.19	323.9	533.4	85.1	65	57.2	25.4	50.8	11	1½"-16	25.4	19.1	3⅝"-12	49.3	12.3
C2510		260.3	866.2	33.19	374.7	635	85.1	65	57.2	25.4	50.8	11	1½"-16	25.4	19.1	3⅝"-12	49.3	14.1
C2512		311.1	1035	33.19	425.5	736.6	85.1	65	57.2	25.4	50.8	11	1½"-16	25.4	19.1	3⅝"-12	49.3	16.4
C2514		361	1204	33.19	476.3	838.2	85.1	65	57.2	25.4	50.8	11	1½"-16	25.4	19.1	3⅝"-12	49.3	17.7
C308	30	210	925	44.18	388	597	103	75	60	57	50	11	1½"-16	25.4	-	4"-12	50	18.1
C552	55	50.8	362	71.34	176.3	227.1	127	95.3	79.5	35	80	3	-	-	19.1	5"-12	44.5	15
C554		101.1	724	71.34	227.6	328.7	127	95.3	79.5	35	80	3	-	-	19.1	5"-12	44.5	19.1
C556		158.8	1130	71.34	282.7	441.5	127	95.3	79.5	35	80	3	-	-	19.1	5"-12	44.5	23.2
C5510		254	1816	71.34	383.54	638.81	127	95.3	79.5	35	80	3	-	-	19.1	5"-12	44.5	29.5
C5513		336.6	2398	71.34	460.5	797.1	127	95.3	79.5	35	80	3	-	-	19.1	5"-12	44.5	37.7
C756	75	155	1752	113.11	285	440	152	120	95	30	70	3	-	-	-	5¾"-12	45	29.5
C7513		334	3770	113.11	491	825	152	120	95	30	70	3	-	-	-	5¾"-12	45	59
C1006	100	167.4	2240	133.36	358.1	525.5	174.5	130	104.9	39.9	104.9	3	-	-	25.4	6⅞"-12	44.5	59.1
C10010		260.1	3465	133.36	449.6	709.7	174.5	130	104.9	39.9	104.9	3	-	-	25.4	6⅞"-12	44.5	72.7

Meets or exceeds
ASME B30.1
✓

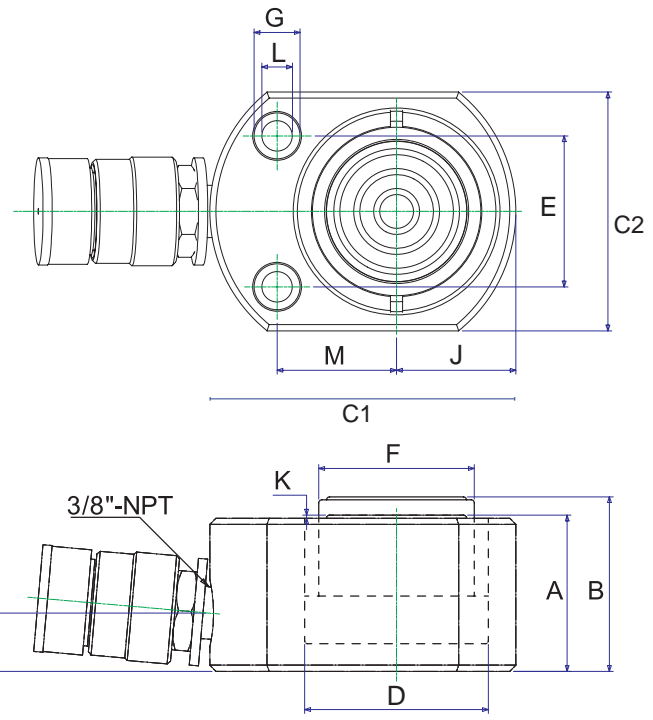


MODEL: CP-SERIES

- Single Acting - Low Profile
- Capacity : 5 - 150 Ton
- Stroke : 6mm - 17mm
- Maximum working pressure : 10,000 psi / 700 Bar

FEATURES

- Single Acting with spring return
- Hard chrome plated piston rod
- Cylinder body fully nitrided and painted for rust protection
- Roller burnished cylinder bore
- Angled coupling for ease of connection



SPECIFICATIONS

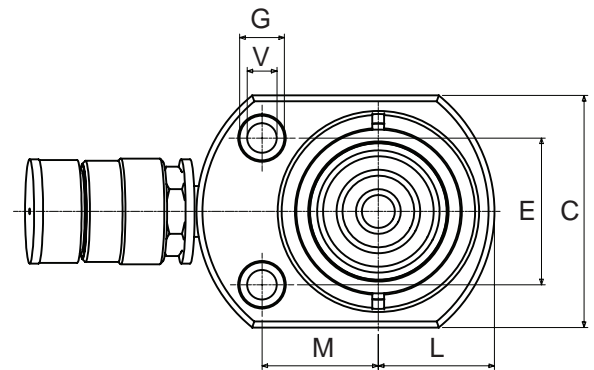
Model	Cap Ton	Stroke (mm)	Oil Cap (cc)	Cylinder Effective Area (cm ²)	A Retracted Height (mm)	B Extended Height (mm)	C Outside Dia. C1 C2 (mm)	D Bore Dia. (Ømm)	E (mm)	F (Ømm)	G (Ømm)	H (mm)	J (mm)	K (mm)	L (Ømm)	M (mm)	Weight (kg)
CP50	5	6	4.5	7.55	33	39	58.5 44	31	28.5	25.4	9.5	16	22	1	5.3	22	0.7
CP100	10	12	18	15.21	42	54	82.5 60	44	36.5	38	11	19	30	1	7.5	34	1.6
CP200	20	12	34	28.28	51	63	100 78	60	49.3	50.8	15	19	39	1	10	39	2.6
CP300	30	13	54	41.86	58	71	117.5 95	73	52.3	63.5	16	19	47.5	2	10	47.5	4.5
CP500	50	16	113	70.89	66	82	145 115	95	66.5	70	19	19	57.5	2	11	58	6.8
CP750	75	16	180	113.11	79	95	170 145	120	76.2	82.5	20.5	19	72.5	2	13.5	70	11.3
CP1000	100	16	229	143.16	85	101	185 160	135	76.2	92	20.5	19	80	2	13.5	78	14.5
CP1500	150	17	363	213.85	100	117	225 195	165	117	115	20.5	23	97.5	2	13.5	85	26.3

Meets or exceeds
ASME B30.1
✓



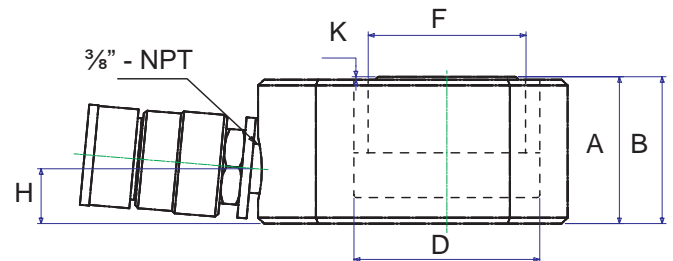
MODEL: CPT-SERIES

- Single Acting - Telescopic
- Capacity : 10 - 20 Ton
- Stroke : 12mm - 13mm
- Maximum working pressure : 10,000 psi / 700 Bar



FEATURES

- Single Acting with load return
- Hard chrome plated piston rod
- Cylinder body fully nitrided and painted for rust protection
- Roller burnished cylinder bore
- Perfect for tight spaces
- Angled coupling for ease of connection

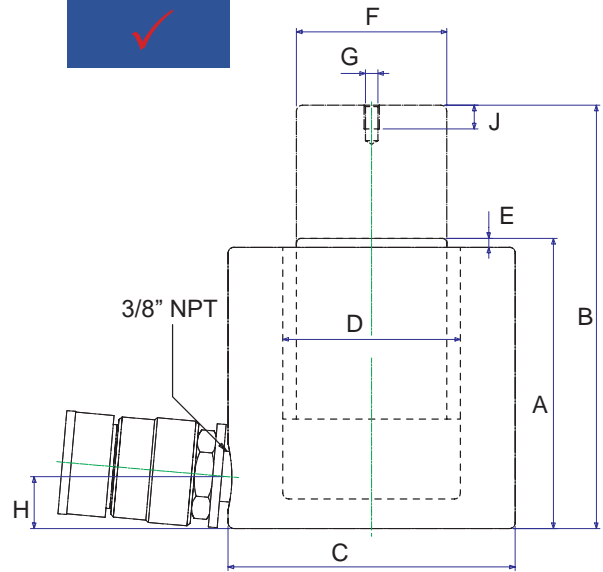


SPECIFICATIONS

Model	Cap Ton		Stroke (mm)		Oil Cap (cm ³)	Cylinder Effective Area (cm ²)		A Retracted Height (mm)	B Extended Height (mm)	C Outside Dia. (mm)	D Bore Dia. (Ømm)	E (mm)	F (Ømm)	G (Ømm)	H (mm)	K (mm)	L (mm)	M (mm)	V (Ømm)	Weight (kg)
	1 st	2 nd	S1	S2		1st	2nd													
CPT1005	10	5	13	12	29.0	15.2	7.5	42	67	82.5 x 60	44	36.5	38	11	19	1	30	34	7.5	1.6
CPT2010	20	10	13	12	55.0	28.3	15.2	51	76	100 x 78	60	49.3	50.8	15	19	1	39	39	10	2.6



Meets or exceeds
ASME B30.1

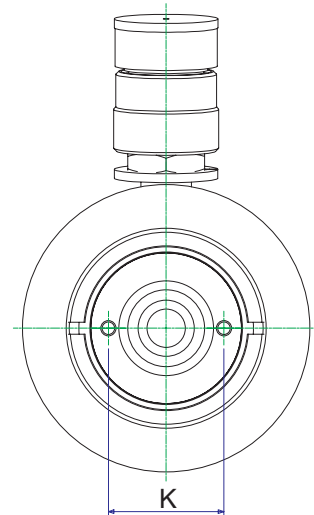


MODEL: CM-SERIES

- Single Acting - Mid Profile
- Capacity : 10 - 100 Ton
- Stroke : 38mm - 63mm
- Maximum working pressure : 10,000 psi / 700 Bar

FEATURES

- Single Acting with spring return
- Hard chrome plated piston rod
- Cylinder body fully nitrided and painted for rust protection
- Roller burnished cylinder bore
- Angled coupling for ease of connection

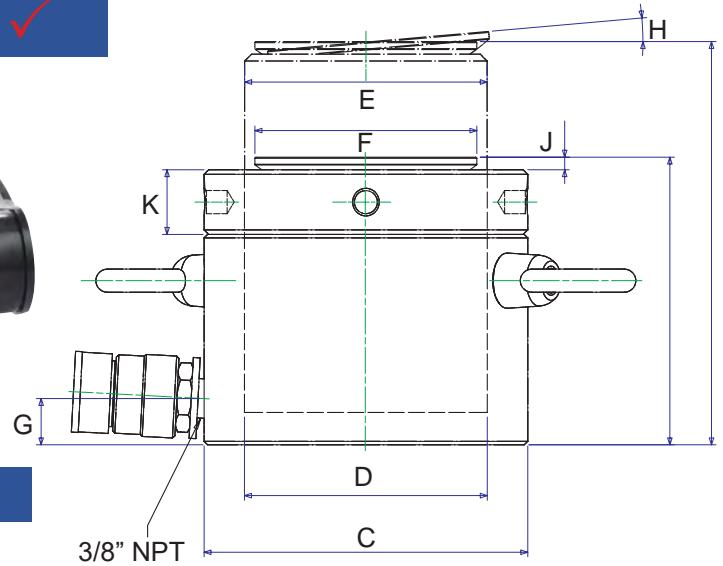


SPECIFICATIONS

Model	Cap Ton	Stroke (mm)	Oil Cap (cc)	Cylinder Effective Area (cm ²)	A Retracted Height (mm)	B Extended Height (mm)	C Outside Dia. (mm)	D Bore Dia. (∅mm)	E (mm)	F (∅mm)	G (mm)	H (mm)	J (mm)	K (mm)	Weight (kg)
CM101	10	38.1	55	14.46	88.9	126.2	69.9	42.9	5	38.1	M4	17.5	8	26.2	4.1
CM202	20	44.4	127	28.75	98.6	143	92.2	60.5	3	50.8	M5	17.5	9	23.9	5
CM302	30	61.9	260	42.09	117.6	179.3	101.6	73.2	3	63.5	M5	19	8	36	6.8
CM502	50	60.5	375	62.08	127.5	182.6	124.9	88.9	2	69.9	M6	19	8	39.6	10.9
CM1002	100	63.5	725	126.69	141.2	198.4	165.1	127	1.5	92.2	M8	25	10	55.6	22.7



Meets or exceeds
ASME B30.1

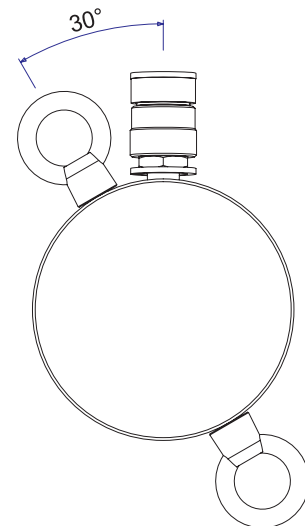


MODEL: CPL-SERIES

- Single Acting - Load Return - Locknut
- Capacity : 60 - 520 Ton
- Stroke : 45mm - 50mm
- Maximum working pressure : 10,000 psi / 700 Bar

FEATURES

- Single Acting Cylinder
- Hard chrome plated piston rod
- Overflow port to prevent over extending piston
- Locknut for safe mechanical load holding
- Low retracted height for use in confined spaces
- Angled coupling for ease of connection



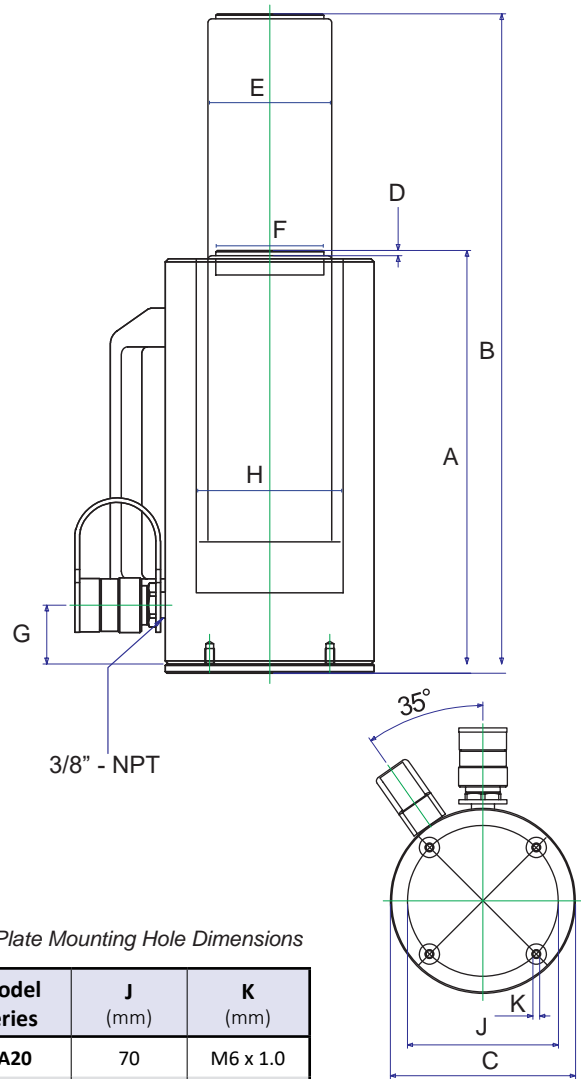
SPECIFICATIONS

Model	Cap Ton	Stroke (mm)	Oil Cap (cc)	Cylinder Effective Area (cm ²)	A Retracted Height (mm)	B Extended Height (mm)	C Outside Dia. (mm)	D Bore Dia. (Ømm)	E Lock Nut Thread (mm)	F (Ømm)	G (mm)	H °	J (mm)	K (mm)	Weight (kg)
CPL602	60	50	432	86.60	125	175	140	105	104 x 4	96	19	5	6	28	15
CPL1002	100	50	734	146.8	137	187	175	136.7	136 x 6	126	21	5	8	31	26
CPL1602	160	45	1040	231.3	148	193	220	171.6	171 x 6	160	27	5	9	40	44
CPL2002	200	45	1285	285.6	155	200	245	190.7	190 x 6	180	30	5	10	43	57
CPL2502	260	45	1650	366.8	159	204	275	216.1	216 x 6	200	32	5	11	44	74
CPL4002	400	45	2517	559.5	178	223	350	266.9	266 x 6	250	39	4	11	55	134
CPL5002	520	45	3287	730.6	192	237	400	305	305 x 6	290	48	3	10	62	189

For larger capacities please contact Boss Hydraulics



Meets or
exceeds
ASME B30.1



MODEL: CA-SERIES

- Single Acting - Spring Return
- Capacity : 20 - 100 Ton
- Stroke : 50mm - 250mm
- Maximum working pressure : 10,000 psi / 700 Bar

FEATURES

- Up to half the weight of comparative steel cylinders
- Large bearing surface for side load protection
- Carry handle standard on larger models
- Hard anodised coating reduces wear and corrosion
- Heavy duty spring for faster return
- Internal stop ring allows cylinder to withstand full dead end load
- Rod wiper protects cylinder against contamination

Base Plate Mounting Hole Dimensions

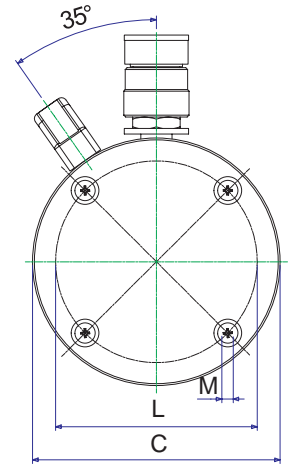
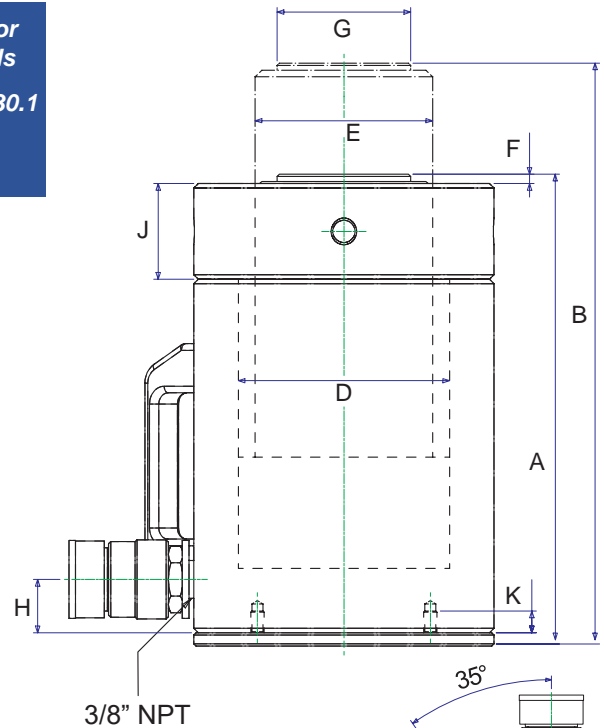
Model series	J (mm)	K (mm)
CA20	70	M6 x 1.0
CA30	80	M6 x 1.0
CA50	110	M6 x 1.0
CA100	160	M6 x 1.0

SPECIFICATIONS

Model	Cap Ton	Stroke (mm)	Oil Cap (cc)	Cylinder Effective Area (cm ²)	A Retracted Height (mm)	B Extended Height (mm)	C Outside Dia. (Ømm)	D Bore Dia. (Ømm)	E (mm)	F (Ømm)	G (mm)	H (mm)	Weight (kgs)
CA202	20	50	166	30.2	168	218	92	62	40	55	25	3	4.3
CA204		100	332	30.2	218	318	92	62	40	55	25	3	5
CA206		150	498	30.2	268	418	92	62	40	55	25	3	5.7
CA208		200	664	30.2	318	518	92	62	40	55	25	3	6.5
CA302	30	50	221	44.18	175	225	110	75	40	60	25	3	6
CA304		100	442	44.18	225	325	110	75	40	60	25	3	6.9
CA306		150	663	44.18	275	425	110	75	40	60	25	3	7.9
CA308		200	884	44.18	325	525	110	75	40	60	25	3	8.8
CA502	50	50	354.5	70.89	171	221	135	95	70	80	30	6	5.9
CA504		100	709	70.89	221	321	135	95	70	80	30	6	7.7
CA506		150	1063.5	70.89	271	421	135	95	70	80	30	6	9.1
CA5010		250	1772.5	70.89	371	621	135	95	70	80	30	6	11.7
CA1002	100	50	715.5	143.16	185	235	200	135	70	105	30	6	16.4
CA1004		100	1431	143.16	235	335	200	135	70	105	30	6	17.2
CA1006		150	2145	143.16	285	435	200	135	70	105	30	6	25.1
CA1008		200	2860	143.16	335	535	200	135	70	105	30	6	28.5
CA10010		250	3575	143.16	385	635	200	135	70	105	30	6	30.7



Meets or exceeds
ASME B30.1



Base Plate Mounting Hole Dimensions

Model series	K (mm)	L (mm)	M (mm)
CAL20	10	70	M6 x 1.0
CAL30	10	80	M6 x 1.0
CAL50	10	110	M6 x 1.0
CAL100	10	160	M6 x 1.0

MODEL: CAL-SERIES

- Single Acting - Spring Return - Locknut
- Capacity : 20 - 100 Ton
- Stroke : 50mm - 250mm
- Maximum working pressure : 10,000 psi / 700 Bar

FEATURES

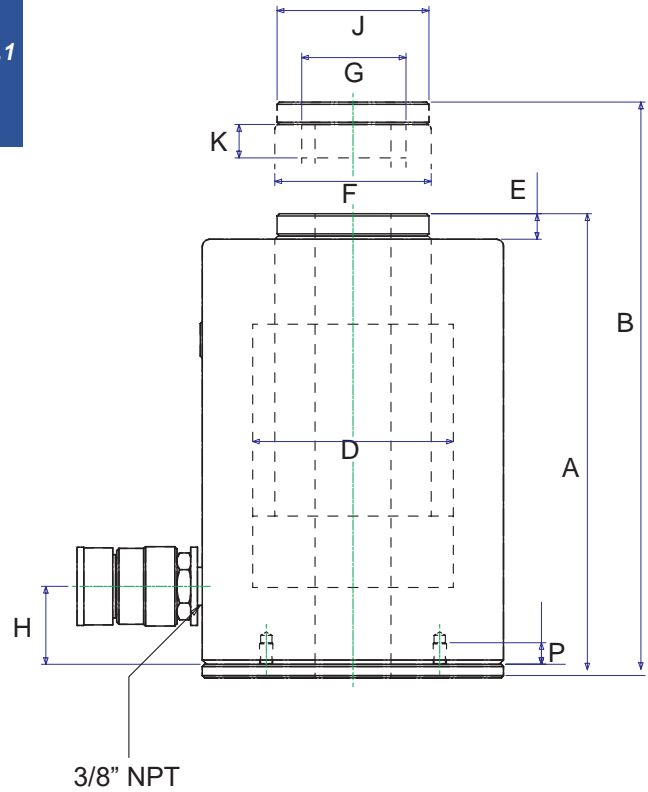
- Single Acting Aluminium Cylinder
- Up to half the weight of comparable steel cylinders
- Carry handle standard on larger models
- Hard anodised coating reduces wear and corrosion
- Internal stop ring allows cylinder to withstand full dead end load
- Locknut for mechanical load holding

SPECIFICATIONS

Model	Cap Ton	Stroke (mm)	Oil Cap (cc)	Cylinder Effective Area (cm ²)	A Retracted Height (mm)	B Extended Height (mm)	C Outside Dia. (Ømm)	D Bore Dia. (Ømm)	E TR Thread (mm)	F (mm)	G (Ømm)	H (mm)	J (mm)	Weight (kg)
CAL202	20	50	151	33.19	193	243	92	65	55 x 3	3	40	25	25	4.8
CAL204		100	302	33.19	243	343	92	65	55 x 3	3	40	25	25	5.7
CAL206		150	453	33.19	293	443	92	65	55 x 3	3	40	25	25	6.3
CAL208		200	604	33.19	343	543	92	65	55 x 3	3	40	25	25	6.9
CAL302	30	50	221	44.18	205	255	110	75	60 x 3	3	40	25	30	6.9
CAL304		100	442	44.18	255	355	110	75	60 x 3	3	40	25	30	7.7
CAL306		150	662	44.18	305	455	110	75	60 x 3	3	40	25	30	8.6
CAL308		200	883	44.18	355	555	110	75	60 x 3	3	40	25	30	9.6
CAL502	50	50	354	70.89	212	262	135	95	80 x 4	3	60	30	43	9.3
CAL504		100	708	70.89	262	362	135	95	80 x 4	3	60	30	43	10.7
CAL506		150	1063	70.89	312	462	135	95	80 x 4	3	60	30	43	13.7
CAL508		200	1417	70.89	362	562	135	95	80 x 4	3	60	30	43	14.5
CAL5010		250	1772	70.89	412	662	135	95	80 x 4	3	60	30	43	16.5
CAL1002	100	50	715	143.16	235	285	200	135	105 x 6	3	70	45	51	21.7
CAL1004		100	1431	143.16	285	385	200	135	105 x 6	3	70	45	51	25.2
CAL1006		150	2146	143.16	335	485	200	135	105 x 6	3	70	45	51	29.2
CAL1008		200	2861	143.16	385	585	200	135	105 x 6	3	70	45	51	33
CAL10010		250	3577	143.16	438	685	200	135	105 x 6	3	70	45	51	35.4



Meets or exceeds
ASME B30.1

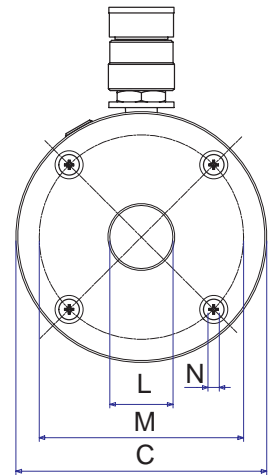


MODEL: CHA-SERIES

- Spring Return - Hollow Centre
- Capacity : 30 - 60 Ton
- Stroke : 50mm - 150mm
- Maximum working pressure : 10,000 psi / 700 Bar

FEATURES

- Up to half the weight of comparable steel cylinders
- Carry handle standard on larger models
- Hard anodised coating reduces wear and corrosion
- Heavy duty spring for faster return
- Internal stop ring allows cylinder to withstand full dead end load
- Rod wiper protects cylinder against contamination
- Chrome plated centre hole for extra protection



Base Plate Mounting Hole Dimensions

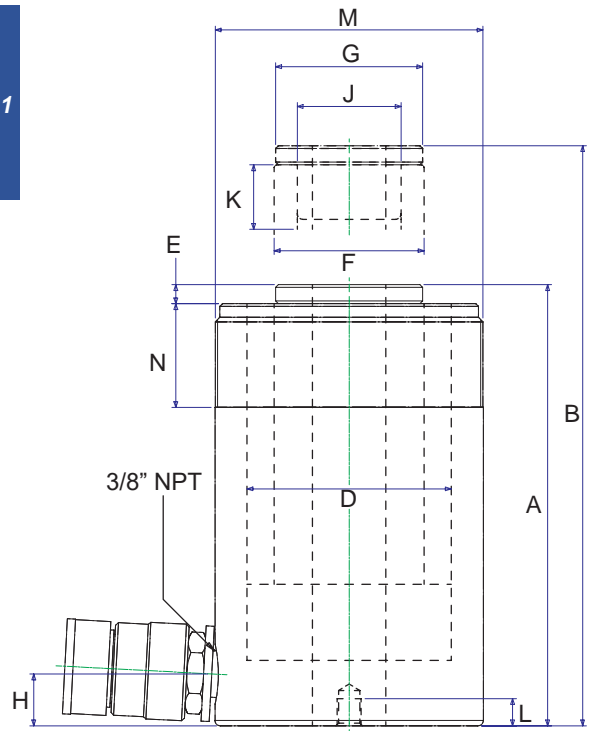
Model series	M (mm)	N (mm)	P (mm)
CHA20	80	M6 x 1.0	10
CHA30	110	M6 X 1.0	10
CHA60	160	M6 x 1.0	10

SPECIFICATIONS

Model	Cap Ton	Stroke (mm)	Oil Cap (cc)	Cylinder Effective Area (cm ²)	A Retracted Height (mm)	B Extended Height (mm)	C Outside Dia. (Ømm)	D Bore Dia. (Ømm)	E (mm)	F (Ømm)	G (ØUN)	H (mm)	J (Ømm)	K (mm)	L Centre Hole Ø (Ømm)	Weight (kg)
CHA302	30	50	275	55	202	252	138	95	11.5	70	1 ⁷ / ₈ -16	35	68	25	34	8.4
CHA306		150	825	55	327	477	138	95	11.5	70	1 ⁷ / ₈ -16	35	68	25	34	12.8
CHA602	60	50	447.5	89.5	250	300	200	125	14	100	2 ³ / ₄ -16	50	89	25	34	23.0
CHA604		100	895	89.5	300	400	200	125	14	100	2 ³ / ₄ -16	50	89	25	34	26.3
CHA606		150	1342	89.5	350	500	200	125	14	100	2 ³ / ₄ -16	50	89	25	34	27.0



Meets or exceeds
ASME B30.1



MODEL: CH-SERIES

- Single Acting - Hollow Centre
- Capacity : 10 - 100 Ton
- Stroke : 8mm - 160mm
- Maximum working pressure : 10,000 psi / 700 Bar

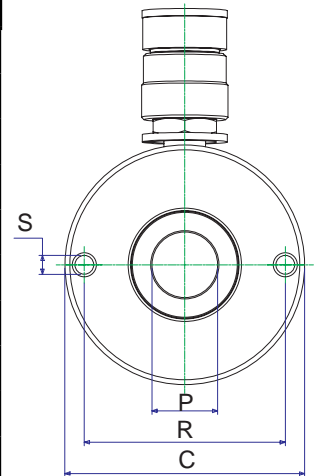
FEATURES

- Single Acting with spring return
- Hard chrome plated piston rod
- Cylinder body fully nitrided and painted for rust protection
- Roller burnished cylinder bore

SPECIFICATIONS

Base Plate Mounting Hole Dimensions

Model	R (mm)	S (ØUN)
CH120	50.8	5/16"-18
CH121	50.8	5/16"-18
CH1211	50.8	5/16"-18
CH123	50.8	5/16"-18
CH202	82.6	3/8"-16
CH206	82.6	3/8"-16
CH302	92	3/8"-16
CH306	92	3/8"-16
CH603	130	1/2"-13
CH606	130	1/2"-13
CH1003	178	5/8"-11

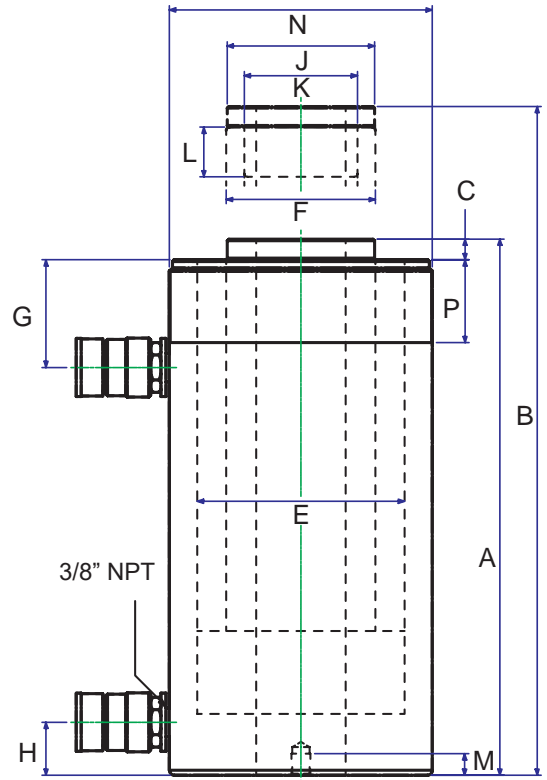


Model	Cap Ton	Stroke (mm)	Oil Cap (cc)	Cylinder Effective Area (cm²)	A Retracted Height (mm)	B Extended Height (mm)	C Outside Dia. (Ømm)	D Bore Dia. (Ømm)	E (mm)	F (Ømm)	G (Ømm)	H (mm)	J (ØUN)	K (mm)	L (mm)	M (ØUN)	N (mm)	P Centre Hole (Ømm)	Weight (kg)
CH102	10	63.5	91	14.9	135.5	199	76.2	60	0.5	52	53	25.4	1 3/4"-12	15	10	-	-	19.5	4
CH120	12	8	14.8	18.5	60	68	73	54.1	-	35	-	12.5	3/4"-16	16	9	2 3/4"-16	33	19.5	1.5
CH121		42	79	18.9	120	162	73	55	-	35	-	19	-	-	12.7	2 3/4"-16	33	19.5	3
CH1211*		42	79	18.9	120	162	73	55	-	35	-	19	3/4"-16	16	12.7	2 3/4"-16	33	19.5	3
CH123	20	76	143.2	18.9	184	260	73	55	-	35	-	19	-	-	12.7	2 3/4"-16	33	19.5	4.2
CH202		51	173	34	162	213	98.5	75	7	55	54	19	9/16"-16	25	9.4	3 7/8"-12	38	27	7.5
CH206		155	527	34	306	461	98.5	75	7	55	54	19	9/16"-16	25	9.4	3 7/8"-12	38	27	13.5
CH302	30	65	310	47.8	178.5	243.5	117	90	0.5	65	59.9	21.5	1 7/8"-16	25	14	4 1/2"-12	42	34	11
CH306		160	763	47.8	330	490	117	90	0.5	65	59.9	21.5	1 7/8"-16	25	14	4 1/2"-12	42	34	20.4
CH603	60	76	680	89.6	247.5	323.5	158.6	125	12.5	90	89	32	2 3/4"-16	25	14	6 1/4"-12	50	54	26.4
CH606		152	1360	89.6	323.5	475.5	158.6	125	12.5	90	89	32	2 3/4"-16	25	14	6 1/4"-12	50	54	34
CH1003	100	76	1085	143	254	330	213	165	12	125	125	38	4" - 16	30	19	8 3/8"-12	60	79	50.1

* Threaded Collar



Meets or exceeds
ASME B30.1



MODEL: CHD-SERIES

- Double Acting - Hollow Centre
- Capacity : 30 - 100 Ton
- Stroke : 76mm - 257mm
- Maximum working pressure : 10,000 psi / 700 Bar

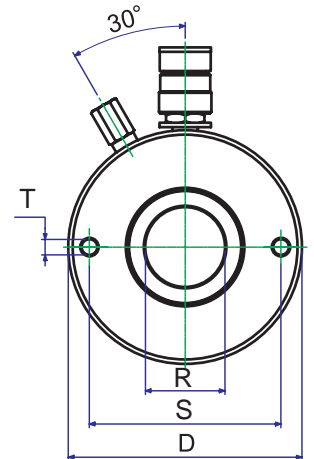
FEATURES

- Double Acting Cylinder
- Hard chrome plated piston rod
- Cylinder body fully nitrided and painted for rust protection
- Roller burnished cylinder bore
- Retract relief valve installed to protect against pressure intensification

SPECIFICATIONS

Base Plate Mounting Hole Dimensions

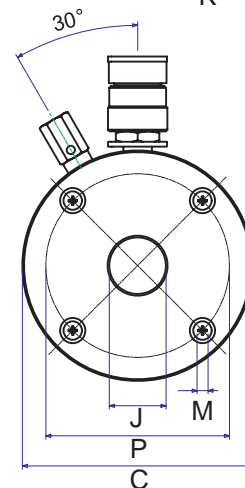
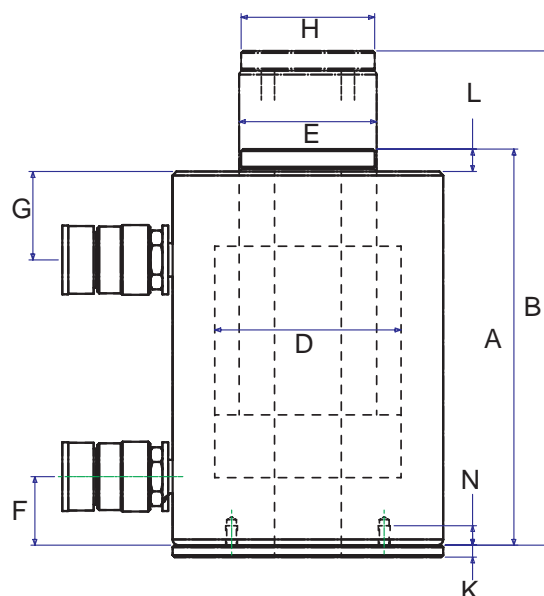
Model	S (mm)	T (ØUNC)
CHD307	92	3/8"-16
CHD3010	92	3/8"-16
CHD603	130	1/2"-13
CHD606	130	1/2"-13
CHD6010	130	1/2"-13
CHD1003	178	5/8"-11
CHD1006	178	5/8"-11
CHD10010	178	5/8"-11



Model	Cap Ton Push/Pull	Stroke (mm)	Oil Cap (cc) Push/Pull	Cyl. Effective Area (cm²)	Retract Height (mm)	Extend Height (mm)	C (mm)	D (Ømm)	E (Ømm)	F (Ømm)	G (mm)	H (mm)	J (Ømm)	K (ØUN)	L (mm)	M (mm)	N (ØUN)	P (mm)	R Centre Hole (Ømm)	Weight (kg)
CHD307	30 / 21	178	849 / 541	47.8	330	508	0.5	117	90	65	60.5	21.5	59.5	1 7/8"-16	25	14	4 1/2"-12	42	34	22
CHD3010		257	1226 / 782	47.8	431	688	10	117	90	65	60.5	21.5	59.5	1 7/8"-16	25	14	4 1/2"-12	42	34	27
CHD603	60 / 41	89	797 / 526	89.6	247.5	336.5	12.5	158.6	125	90	65	32	89	2 3/4"-16	25	14	6 1/4"-12	50	54	28
CHD606		165	1477 / 975	89.6	323.5	488.5	12.5	158.6	125	90	65	32	89	2 3/4"-16	25	14	6 1/4"-12	50	54	35
CHD6010		257	2300 / 1518	89.6	437.5	694.5	12.5	158.6	125	90	65	32	89	2 3/4"-16	25	14	6 1/4"-12	50	54	45
CHD1003	100 / 64	76	1086 / 692	143	254	330	12	213	165	125	82	38	125	4" - 16	30	19	8 3/8"-12	60	79	52
CHD1006		152	2172 / 1384	143	325	477	12	213	165	125	82	38	125	4" - 16	30	19	8 3/8"-12	60	79	65
CHD10010		256	3656 / 2331	143	462	718	12	213	165	125	82	38	125	4" - 16	30	19	8 3/8"-12	60	79	88



Meets or exceeds
ASME B30.1



MODEL: CHAD-SERIES

- Double Acting
- Capacity : 30 - 60 Ton
- Stroke : 50mm - 250mm
- Maximum working pressure : 10,000 psi / 700 Bar

FEATURES

- Perfect for construction, ship yards, utilities, mining and equipment maintenance
- Hard anodised coating reduces wear and corrosion
- Rod wiper protects cylinder against contamination
- Cylinder bore is roller burnished
- Retract relief valve installed to prevent over pressurisation

SPECIFICATIONS

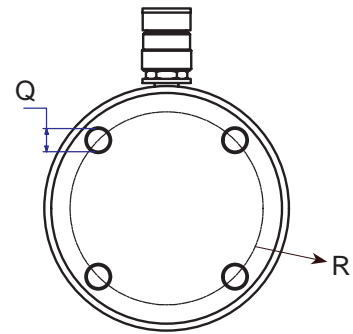
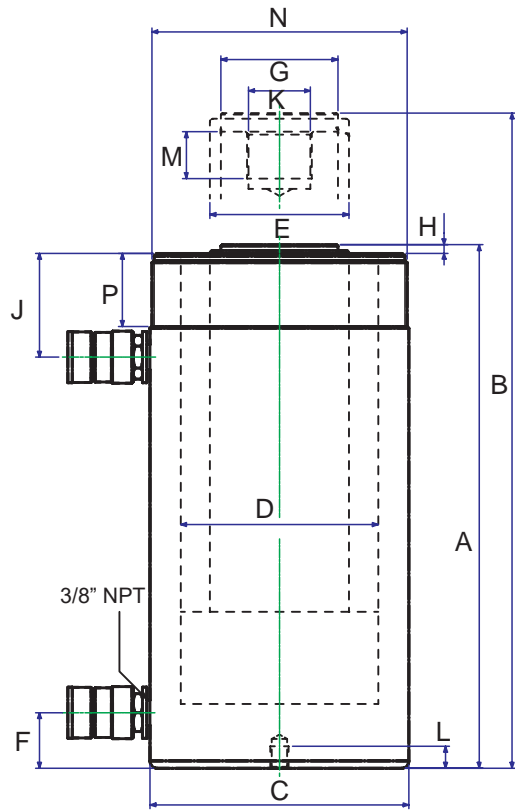
Base Plate Mounting Hole Dimensions

Model series	M (mm)	N (mm)	P (mm)
CHAD30	M6 x 1.0	10	110
CHAD60	M6 x 1.0	10	160

Model	Cap Ton Push/Pull	Stroke (mm)	Oil Cap (cc)	Cylinder Effective Area (cm ²)	A Retracted Height (mm)	B Extended Height (mm)	C Outside Dia. (Ømm)	D Bore Dia. (Ømm)	E (Ømm)	F (mm)	G (mm)	H (Ømm)	J Centre Hole (Ømm)	K (mm)	L (mm)	Weight (kg)
			Push/ Pull	Push/ Pull	Retracted Height (mm)	Extended Height (mm)	Retracted Height (mm)	Extended Height (mm)	Retracted Height (mm)	Extended Height (mm)	Retracted Height (mm)	Extended Height (mm)	Retracted Height (mm)	Extended Height (mm)		
CHAD302	38.5/22.7	50	275/ 162	55/ 32.4	202	252	138	95	70	35	45	68	34	6	11.5	9.6
CHAD306		150	825/ 486	55/ 32.4	327	477	138	95	70	35	45	68	34	6	11.5	14.8
CHAD3010		250	1374/ 810	55/ 32.4	430	680	138	95	70	35	45	68	34	6	11.5	16
CHAD602	62.6/31	50	448/ 221	89.5/ 44.2	250	300	200	125	100	50	50	89	54	6	14	15.5
CHAD606		150	1342/ 662	89.5/ 44.2	350	500	200	125	100	50	50	89	54	6	14	23
CHAD6010		250	2237/ 1104	89.5/ 44.2	433	683	200	125	100	50	50	89	54	6	14	30.5



Meets or exceeds
ASME B30.1



Base Plate Mounting Hole Dimensions
*Available on cylinders 50t and over

MODEL: CD-SERIES

- Double Acting
- Capacity : 10 - 556 Ton
- Stroke : 57mm - 1219mm
- Maximum working pressure : 10,000 psi / 700 Bar

FEATURES

- Perfect for construction, ship yards, utilities, mining and equipment maintenance
- Rod wiper protects cylinder against contamination
- Cylinder bore is roller burnished
- Internal retract relief valve installed to prevent over pressurisation

BASE PLATE SPECIFICATIONS

Model	Q (∅ UNC)	R (mm)	Model	Q (∅ UNC)	R (mm)	Model	Q (∅ UNC)	R (mm)
CD506	1/2"-13	76	CD3006	1 1/4"-7	158	CD5006	1 3/4"-5	206
CD5013			CD30012			CD50012		
CD5020			CD30018			CD50018		
CD1006	3/4"-10	139	CD30024			CD50024		
CD10013			CD30036			CD50036		
CD10018			CD30048	CD50048				
CD1502	3/4"-16	158	CD4006	1 1/2"-6	203			
CD1506			CD40012					
CD15013			CD40018					
CD15032			CD40024					
CD2006			1"-8			127	CD40036	CD40048
CD20013								
CD20018								
CD20024								
CD20036								
CD20048								

CYLINDER SPECIFICATIONS

Model	Push Capacity (KN)	Pull Capacity (KN)
CD10 -	111	31.5
CD30 -	309	77.6
CD50 -	496	119.6
CD100 -	929	433
CD150 -	1407	616
CD200 -	1985	1056
CD300 -	3167	1578
CD400 -	4311	2325
CD500 -	4948	2749

MODEL: CD-SERIES

SPECIFICATIONS

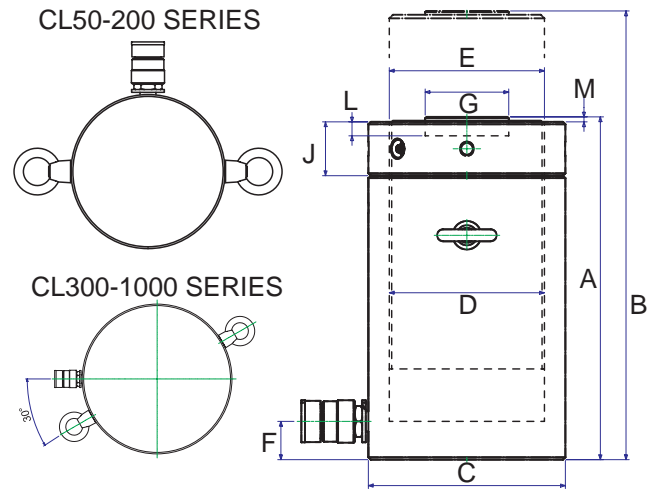


Reduced retract pressure:
 CD10 Series 500 Bar
 CD30 Series 380 Bar
 CD50 Series 580 Bar

Model	Cap Ton	Stroke (mm)	Oil Cap (cc) Push/ Pull	Cyl. Effective Area (cm²) Push/ Pull	A Retract Height (mm)	B Extend Height (mm)	C Outside Dia. (Ømm)	D Bore Dia. (Ømm)	E Pist Dia. (Ømm)	F (mm)	G (Ømm)	H (mm)	J (mm)	K (ØUN)	L (mm)	M (mm)	N (Ø UN)	P (mm)	Weight (kg)
CD106	12	152	242/96	15.9/6.28	307	459	73	45	35	28	35	6	53	35	6	2 1/4"-14	26	10	
CD1010		254	404/160	15.9/6.28	409	663	73	45	35	28	35	6	53	35	6	2 1/4"-14	26	13	
CD1012		305	485/191	15.9/6.28	457	762	73	45	35	28	35	6	53	35	6	2 1/4"-14	26	14.5	
CD308	35	209	923/427	44.18/20.42	395	604	101	75	55	39	50	10	74	50	10	3 5/16"-16	49	19	
CD3014		368	1626/752	44.18/20.42	549	917	101	75	55	39	50	10	74	50	10	3 5/16"-16	49	31	
CD506	56	156	1106/322	70.89/20.62	331	487	127	95	80	35	71	2	81	71	25	2	5"-12	44	32
CD5013		334	2368/689	70.89/20.62	509	843	127	95	80	35	71	2	81	71	25	2	5"-12	44	53
CD5020		511	3622/1054	70.89/20.62	733	1244	127	95	80	35	71	2	81	71	25	2	5"-12	44	70
CD1006	104	168	2230/1039	132.7/61.9	357	525	177	130	95	61	76	3	71	76	25	3	6 7/8"-12	50	63
CD10013		333	4420/2060	132.7/61.9	524	857	177	130	95	61	76	3	71	76	25	3	6 7/8"-12	50	96
CD10018		460	6105/2845	132.7/61.9	687	1147	177	130	95	77	76	3	71	76	25	3	6 7/8"-12	50	119
CD1502	158	57	1146/501	201/87.96	196	253	203	160	120	65	120	19	84	120	28	19	8"-12	55	51
CD1506		156	3137/1372	201/97.2	385	541	203	160	120	65	120	19	84	120	28	19	8"-12	55	94
CD15013		333	6692/2929	201/97.2	582	915	203	160	120	65	120	19	84	120	28	19	8"-12	55	126
CD15032		815	16387/7170	201/97.2	1116	1931	203	160	120	65	120	19	84	120	28	19	8"-12	55	240
CD2006	223	152	4310/2292	283.5/129.6	430	582	247	190	130	58	130	22	96	130	25	22	9 3/4"-12	54	152
CD20013		330	9356/4976	283.5/129.6	608	938	247	190	130	58	130	22	96	130	25	22	9 3/4"-12	54	203
CD20018		457	12957/6891	283.5/129.6	765	1222	247	190	130	58	130	22	96	130	25	22	9 3/4"-12	54	208
CD20024		610	17295/9199	283.5/129.6	917	1527	247	190	130	58	130	22	96	130	25	22	9 3/4"-12	54	286
CD20036		914	25915/13783	283.5/129.6	1222	2136	247	190	130	58	130	22	96	130	25	22	9 3/4"-12	54	389
CD20048		1219	34592/18382	283.5/129.6	1527	2746	247	190	130	58	130	22	96	130	25	22	9 3/4"-12	54	486
CD3006	325	153	6922/3449	452.4/225.4	485	638	311	240	170	88	165	28	114	170	44	28	12 1/4"-12	58	203
CD30012		305	13798/6875	452.4/225.4	638	943	311	240	170	88	165	28	114	170	44	28	12 1/4"-12	58	314
CD30018		457	20674/10301	452.4/225.4	790	1247	311	240	170	88	165	28	114	170	44	28	12 1/4"-12	58	386
CD30024		609	27551/13727	452.4/225.4	943	1552	311	240	170	88	165	28	114	170	44	28	12 1/4"-12	58	472
CD30036		915	41393/20625	452.4/225.4	1247	2162	311	240	170	88	165	28	114	170	44	28	12 1/4"-12	58	631
CD30048		1219	55146/27477	452.4/225.4	1552	2771	311	240	170	88	165	28	114	170	44	28	12 1/4"-12	58	781
CD4006	485	152	9259/5050	615.8/332.2	538	690	358	280	190	108	190	28	133	280	50	28	14 1/8"-8	65	308
CD40012		305	18780/10133	615.8/332.2	690	995	358	280	190	108	190	28	133	280	50	28	14 1/8"-8	65	405
CD40018		457	28140/15183	615.8/332.2	843	1300	358	280	190	108	190	28	133	280	50	28	14 1/8"-8	65	456
CD40024		610	37560/20265	615.8/332.2	995	1605	358	280	190	108	190	28	133	280	50	28	14 1/8"-8	65	599
CD40036		914	56280/30365	615.8/332.2	1300	2214	358	280	190	108	190	28	133	280	50	28	14 1/8"-8	65	794
CD40048		1219	75060/40498	615.8/332.2	1605	2824	358	280	190	108	190	28	133	280	50	28	14 1/8"-8	65	983
CD5006	556	153	10815/6008	706.9/392.7	577	730	397	300	200	120	203	28	152	300	57	28	15 5/8"-8	79	435
CD50012		305	21559/11977	706.9/392.7	730	1035	397	300	200	120	203	28	152	300	57	28	15 5/8"-8	79	592
CD50018		457	32303/17946	706.9/392.7	882	1339	397	300	200	120	203	28	152	300	57	28	15 5/8"-8	79	682
CD50024		609	43047/23915	706.9/392.7	1035	1644	397	300	200	120	203	28	152	300	57	28	15 5/8"-8	79	818
CD50036		915	64678/35932	706.9/392.7	1339	2254	397	300	200	120	203	28	152	300	57	28	15 5/8"-8	79	1004
CD50048		1219	86166/47870	706.9/392.7	1644	2863	397	300	200	120	203	28	152	300	57	28	15 5/8"-8	79	1226



Meets or exceeds
 ASME B30.1



MODEL: CL-SERIES

- Single acting
- Capacity : 50 - 1000 Ton
- Stroke : 50mm - 300mm
- Maximum working pressure : 10,000 psi / 700 Bar

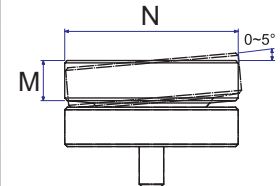
FEATURES

- Perfect for construction, ship yards, utilities, mining and equipment maintenance
- Optional tilt saddle available for side load protection
- Safety locknut for mechanical load holding
- Overflow port built in for piston protection

SPECIFICATIONS

OPTIONAL TILT SADDLES

Model	Cap. Ton	M (mm)	N (∅ mm)
TSA-100	50-100	22	70
TSA-200	150-200	20	125
TSA-300	300	75	195
TSA-400	400	85	225
TSA-500	500	90	250
TSA-600	600	95	275
TSA-800	800	120	320
TSA-1000	1000	135	360



Model	Cap Ton	Stroke (mm)	Oil Cap (cc)	Cylinder Effective Area (cm ²)	A Retracted Height (mm)	B Extended Height (mm)	C Outside Dia. (∅mm)	D Bore Dia. (∅mm)	E TR Thread (mm)	F (mm)	G (∅mm)	H (mm)	J (mm)	K (mm)	L (∅mm)	Weight (kg)
CL502	50	50	355	70.9	164	214	125	95	95x4	20	70	4	25	35	13	15
CL506		150	1064	70.9	264	414	125	95	95x4	20	70	4	25	35	13	25
CL5010		250	1773	70.9	364	614	125	95	95x4	20	70	4	25	35	13	35
CL1002	100	50	665	133	187	237	165	130	130x4	35	70	4	25	45	13	30
CL1006		150	1995	133	287	437	165	130	130x4	35	70	4	25	45	13	48
CL10010		250	3325	133	387	637	165	130	130x4	35	70	4	25	45	13	64
CL1502	150	50	1005	201	209	259	205	160	160x6	49	125	4	25	45	25	53
CL1506		150	3015	201	309	459	205	160	160x6	49	125	4	25	45	25	78
CL2006	200	150	4035	269	343	493	235	185	185x6	52	125	4	25	50	25	117
CL20012		300	8070	269	493	793	235	185	185x6	52	125	4	25	50	25	170
CL3006	300	150	6503	433.5	395	545	305	235	235x6	62	160	5	25	60	25	233
CL30012		300	13005	433.5	545	845	305	235	235x6	62	160	5	25	60	25	323
CL4002	400	50	2755	551	335	385	355	265	265x6	76	160	5	25	70	25	250
CL4006		150	8265	551	435	585	355	265	265x6	76	160	5	25	70	25	327
CL40012		300	16530	551	585	885	355	265	265x6	76	160	5	25	70	25	441
CL5006	500	150	10598	706.5	475	625	395	300	300x6	81	180	5	25	80	25	466
CL50012		300	21195	706.5	625	925	395	300	300x6	81	180	5	25	80	25	617
CL8006	800	150	17910	1194	555	705	505	390	390x6	105	225	5	25	100	25	870
CL80012		300	35820	1194	705	1005	505	390	390x6	105	225	5	25	100	25	1110
CL10002	1000	50	7257	1451.5	495	545	555	430	430x6	108	250	5	25	110	25	949
CL10006		150	21772	1451.5	595	745	555	430	430x6	108	250	5	25	110	25	1141
CL100012		300	43544	1451.5	745	1045	555	430	430x6	108	250	5	25	110	25	1430