

PRODUCT OVERVIEW



PRODUCT	MODEL	CAPACITY (TON)	PAGE NUMBER
<i>Hydraulic Spreaders</i>	<i>HFS/ MFS/ SB-SS/ STB-S</i>	<i>9-33</i>	<i>60-61</i>
<i>Hydraulic Nut Splitters</i>	<i>SH</i>	<i>15-25</i>	<i>62</i>



Model HFS14



Model HFSM14

HYDRAULIC SPREADERS

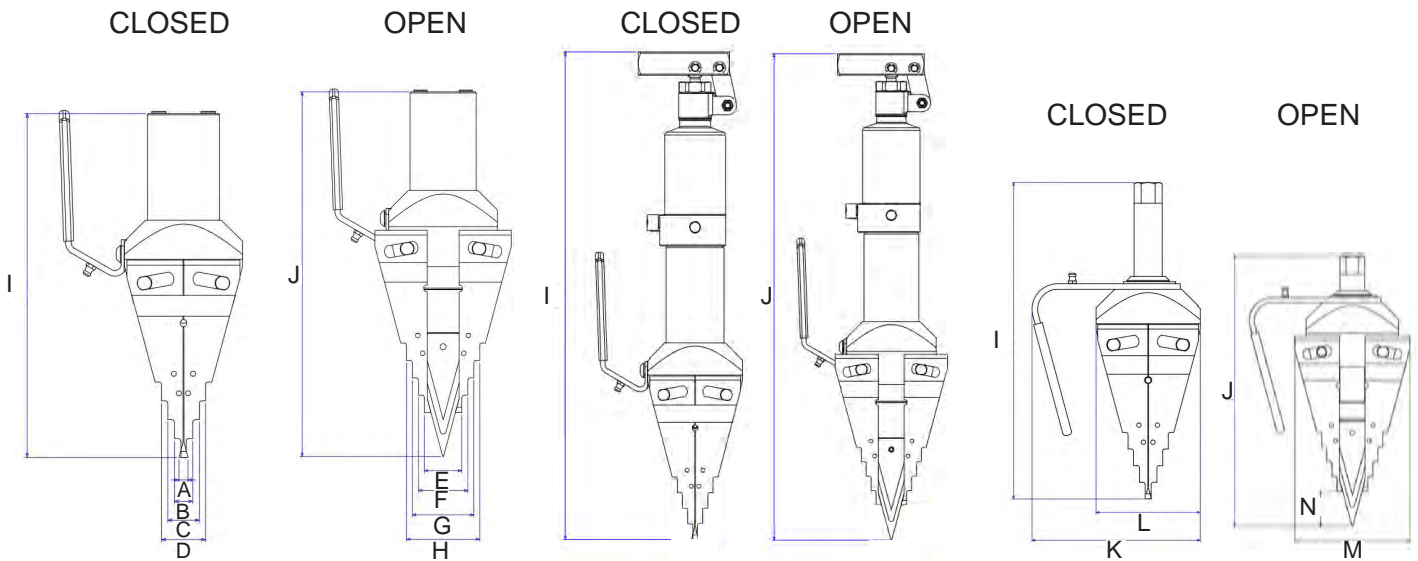
- Max spreading force : 14 ton
- Spring return cylinder
- Available with integrated hand pump or manual wrench
- Max spread : 62 mm without step blocks
- Max spread : 81mm with step blocks
- All kits come with 1 x safety block & 2 x Step blocks



Model MFS9

Safety Blocks
Model SB-S

Stepped Blocks
Model STB-S



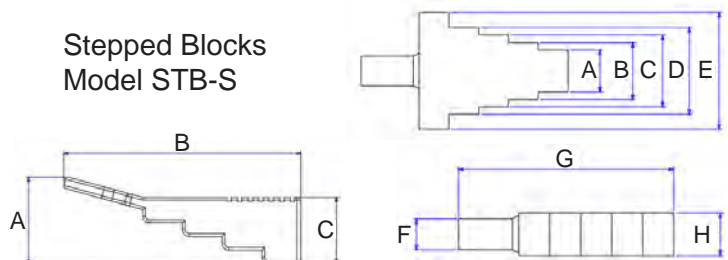
SPECIFICATIONS

Model	Cap Ton	A (mm)	B (mm)	C (mm)	D (mm)	E (mm)	F (mm)	G (mm)	H (mm)	I (mm)	J (mm)	K (mm)	L (mm)	M (mm)	N (mm)	Weight (KG)
MFS9	9	6	17	27	37	31	42	52	62	285	273.5	151	93.5	116	38	5.5
HFS14	14	6	17	27	37	31	42	52	62	274	314	151	93.5	116	38	7
HFSM14	14	6	17	27	37	31	42	52	62	468	507	151	93.5	116	38	9

Model	A (mm)	B (mm)	C (mm)	D (mm)	E (mm)	F (mm)	G (mm)	H (mm)	Weight (KG)
SB-S	28	38	48	58	78	20	139	27	0.5
STB-S	33	90	25	-	-	-	-	-	0.5

Safety Blocks
Model SB-S

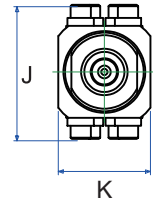
Stepped Blocks
Model STB-S





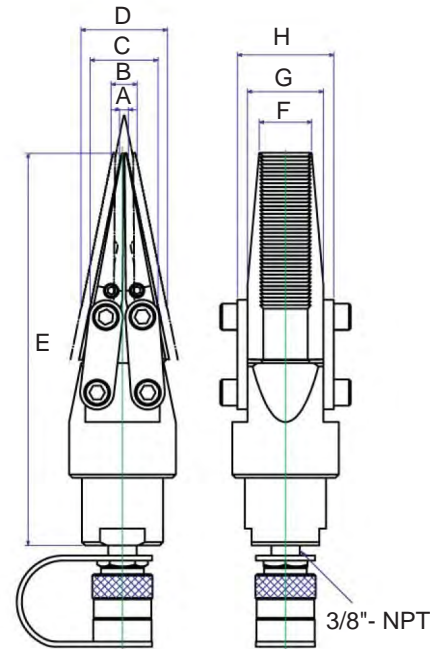
MODEL: SH-SERIES

- Capacity : 15 - 25 Ton
- Maximum working pressure : 10,000 psi / 700 Bar



FEATURES

- Compact design will optimise use in low clearance applications
- Lightweight for increased portability
- Manufactured from high quality hardened steel



SPECIFICATIONS

Model	Cap Ton	Spread (mm) A / B	Stroke (mm)	C (mm)	D (mm)	E (mm)	F (mm)	G (mm)	H (mm)	J (mm)	K (mm)	Weight (kg)
SH15	15	5 / 15	25	40	50	232	31	45	57	63	63	3.3
SH15-S	15	5 / 15	25	36	46	232	31	45	57	63	63	3.3
SH25	25	7 / 23	65	42.5	59	342	50.5	70	82	102	70	7.8

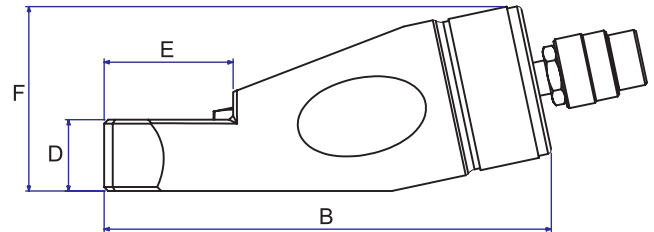
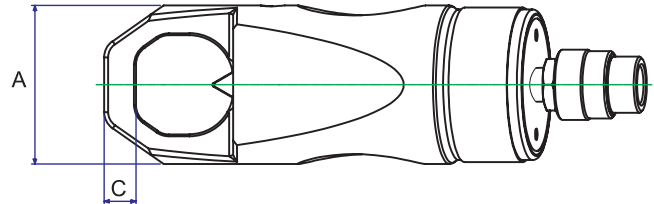


MODEL: NSH-SERIES

- Hydraulic Nut Splitter
- Capacity : 10 - 50 Ton
- Bolt Range: M12 - M39
- Maximum working pressure : 10,000 psi / 700 Bar

FEATURES

- Compact design optimises use in confined spaces
- All models have a one piece cutting frame coupled to a heavy duty hydraulic cylinder
- Cutter blade designed with added strength
- Angle head design keeps the tool in full contact with the nut
- Replacement blades available



SPECIFICATIONS

Model	Hex Nut Range (mm)	Bolt Range (mm)	Cap Ton	Oil Cap (cc)	A (mm)	B (mm)	C (mm)	D (mm)	E (mm)	F (mm)	Weight (kg)
NSH1924	19-24	M12-M16	10	20	60	167	10	25	40	68	2.1
NSH2432	24-32	M16-M22	15	60	70	178	13	30	52	76	3.1
NSH3241	32-41	M22-M27	20	80	80	226	15	36	65	93	4.2
NSH4150	41-50	M27-M33	35	155	95	244	21	45	76	106	8
NSH5060	50-60	M33-M39	50	240	106	269	24	55	92	125	11.5