

PRODUCT OVERVIEW



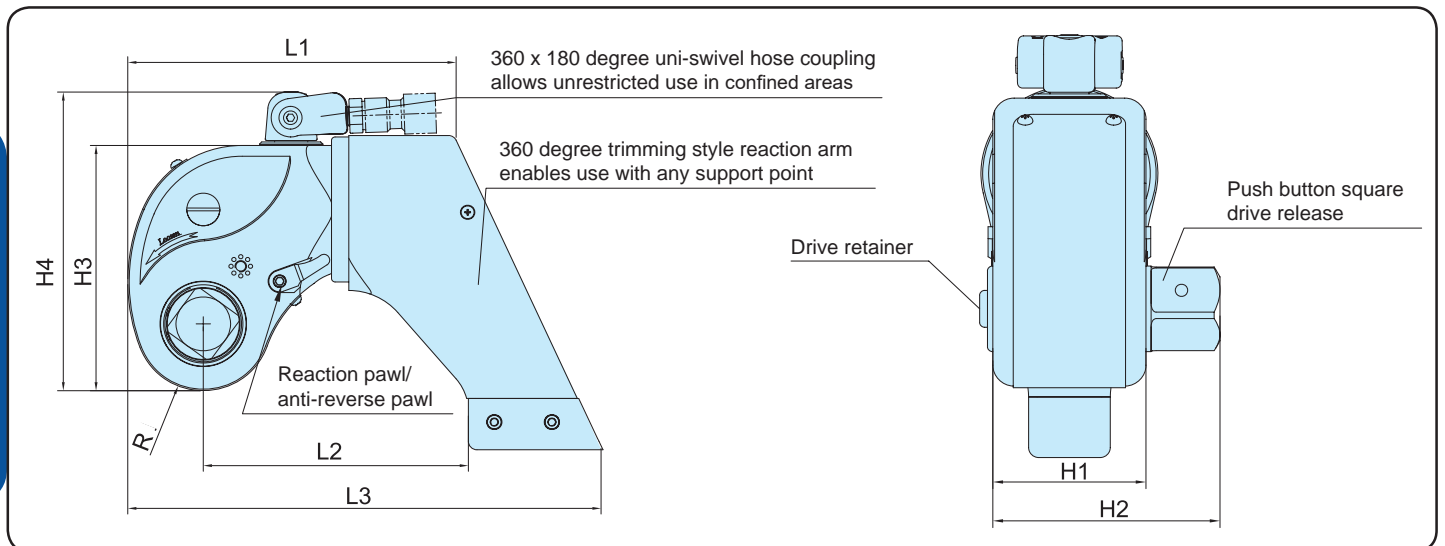
PRODUCT	MODEL	RANGE	PAGE NUMBER
<i>ProTorc Square Drive Torque Wrenches</i>	<i>PTSD</i>	<i>1,760-69,247 Nm</i>	<i>64</i>
<i>ProTorc Torque Wrench Sockets</i>	<i>PTSK</i>	<i>M16-M115</i>	<i>65</i>
<i>ProTorc Hex Drives</i>	<i>PTHD</i>	<i>17mm-70mm</i>	<i>66</i>
<i>ProTorc Low Clearance Torque Wrenches</i>	<i>PTLC</i>	<i>2,534 - 40,639 Nm</i>	<i>67</i>
<i>ProTorc Torque Wrench Hex Links and Reducers</i>	<i>PTLCL</i>	<i>27mm-155mm</i>	<i>68-69</i>
<i>ProTorc Hydraulic Reaction Arms</i>	<i>-</i>	<i>300mm-550mm</i>	<i>70</i>
<i>ProTorc Torque Wrench Pumps</i>	<i>PE08/ RWP</i>	<i>0.8 lpm</i>	<i>71</i>
<i>ProTorc Pneumatic Torque Wrenches</i>	<i>PTP</i>	<i>1,104 - 12,713 Nm</i>	<i>72</i>
<i>ProTorc Pneumatic Reaction Arms</i>	<i>PTPR</i>	<i>-</i>	<i>73</i>
<i>Conversion Charts</i>	<i>-</i>	<i>-</i>	<i>74-75</i>
<i>Bolt Size Guides</i>	<i>-</i>	<i>-</i>	<i>76</i>
<i>Metric Course Bolt Torque Chart</i>	<i>-</i>	<i>-</i>	<i>77</i>

MODEL: PTSD-SERIES

- ProTorc PTSD Hydraulic Square Drive Torque Wrenches are manufactured using high grade aluminium-titanium alloy and high strength alloy steel
- High repeatability can be achieved due to the precise design with an accuracy of +/- 3%
- The 360 x 180 degree uni-swivel hose coupling enables the tool to be used unrestricted in confined areas and eliminates hose kinking
- Torsion resistant housing and torsion free operation
- 360 degree positioning of reaction arm
- Anti-reverse pawl design
- Support handle supplied with models PTSD05 and above
- Comes with convenient carry case
- Two Year Manufacturers Warranty*



		PTSD02	PTSD05	PTSD08	PTSD10	PTSD16	PTSD20	PTSD28	PTSD36	PTSD50	PTSD70
Max. Torque	Nm	1760	4332	7420	10430	15090	19409	26447	34626	47414	69247
	ft/lbs	1299	3197	5476	7697	11137	14324	19518	25554	34992	51105
Min. Torque	Nm	164	433	742	1015	1509	1940	2504	3309	4741	6925
	ft/lbs	121	320	548	749	1114	1432	1848	2442	3499	5111
Sqr. Drive		3/4"	1"	1 1/2"	1 1/2"	1 1/2"	2 1/2"	2 1/2"	2 1/2"	2 1/2"	2 1/2"
L1 (mm)		130	170	202	228	237	273	287	323	351	376
L2 (mm)		102	140	160	184	192	223	248	256	271	295
L3 (mm)		182	249	286	326	336	391	433	464	494	528
H1 (mm)		52	70	81	90	100	110	120	138	153	162
H2 (mm)		77	98	125	134	144	164	187	206	217	226
H3 (mm)		96	127	149	172	181	206	221	258	279	291
H4 (mm)		133	165	184	207	216	241	256	293	315	326
R (mm)		25.8	34.8	39.8	46.8	50.8	56.8	59.8	70.8	76.8	78.8
Weight (kg)		2	4	7	10.6	12.9	20	25	33.8	43	52

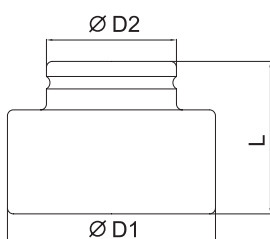


* Conditions apply - contact us for more information



MODEL: PTSK SOCKETS

- Manufactured from high strength alloy steel in accordance with DIN Standards 3121 and 3129
- Machined from solid steel and hardened with heat treatment ensuring durability and longevity
- Non-standard socket sizes available upon request



PTSK075 - 3/4" SOCKETS

Part No.	Bolt Type	Hex Size	L (mm)	D1 (mm)	D2 (mm)
PTSK075-24	M16	24	46	38	35
PTSK075-27	M18	27	48	42	36
PTSK075-30	M20	30	50	46	38
PTSK075-34	M22	34	52	48	40
PTSK075-36	M24	36	54	52	42
PTSK075-41	M27	41	57	58	44
PTSK075-46	M30	46	60	64	46
PTSK075-50	M33	50	63	70	48
PTSK075-55	M36	55	66	76	50

PTSK1 - 1" SOCKETS

Part No.	Bolt Type	Hex Size	L (mm)	D1 (mm)	D2 (mm)
PTSK1-30	M20	30	65	45	45
PTSK1-34	M22	34	67	47	47
PTSK1-36	M24	36	69	52	52
PTSK1-41	M27	41	72	59	52
PTSK1-46	M30	46	75	65	52
PTSK1-50	M33	50	77	71	52
PTSK1-55	M36	55	77	79	52
PTSK1-60	M39	60	79	84	53
PTSK1-65	M42	65	83	90	56
PTSK1-70	M45	70	86	98	61
PTSK1-75	M48	75	89	104	64

PTSK15 - 1-1/2" SOCKETS

Part No.	Bolt Type	Hex Size	L (mm)	D1 (mm)	D2 (mm)
PTSK15-36	M24	36	79	63	69
PTSK15-41	M27	41	87	63	69
PTSK15-46	M30	46	90	69	69
PTSK15-50	M33	50	92	76	76
PTSK15-55	M36	55	92	82	82
PTSK15-60	M39	60	94	90	86
PTSK15-65	M42	65	97	99	86
PTSK15-70	M45	70	100	108	86
PTSK15-75	M48	75	103	116	86
PTSK15-80	M52	80	110	123	88
PTSK15-85	M56	85	114	130	90
PTSK15-90	M60	90	116	138	92
PTSK15-95	M64	95	120	145	94
PTSK15-100	M68	100	124	153	96
PTSK15-105	M72	105	126	160	100
PTSK15-110	M76	110	129	176	110
PTSK15-115	M80	115	133	182	116
PTSK15-120	M85	120	138	188	122
PTSK15-130	M90	130	143	199	133

PTSK25 - 2-1/2" SOCKETS

Part No.	Bolt Type	Hex Size	L (mm)	D1 (mm)	D2 (mm)
PTSK25-50	M33	50	76	114	114
PTSK25-55	M36	55	99	114	114
PTSK25-60	M39	60	102	114	114
PTSK25-65	M42	65	105	114	114
PTSK25-70	M45	70	108	114	114
PTSK25-75	M48	75	113	116	116
PTSK25-80	M52	80	120	123	120
PTSK25-85	M56	85	124	130	124
PTSK25-90	M60	90	126	138	128
PTSK25-95	M64	95	130	145	132
PTSK25-100	M68	100	134	153	136
PTSK25-105	M72	105	138	160	140
PTSK25-110	M76	110	142	168	144
PTSK25-115	M80	115	146	175	148
PTSK25-120	M85	120	152	182	150
PTSK25-130	M90	130	156	196	152
PTSK25-135	M95	135	162	212	155
PTSK25-145	M100	145	167	228	158
PTSK25-150	M105	150	172	230	160
PTSK25-155	M110	155	177	232	160
PTSK25-165	M115	165	182	240	174

MODEL: PTHD - SERIES

- Designed specifically for use with ProTorc PTSD Hydraulic Wrenches
- Manufactured from high strength hardened steel
- Comply with DIN Standard 3121 and 3129

Wrench Model	Hex Size A/F (in)	Part No.	Hex Size A/F (mm)	Part No.
PTSD02	5/8"	PTHD02-063	17	PTHD02-017
	3/4"	PTHD02-075	19	PTHD02-019
	7/8"	PTHD02-088	22	PTHD02-022
	1"	PTHD02-100	24	PTHD02-024
	-	-	27	PTHD02-027
PTSD05	5/8"	PTHD05-063	17	PTHD05-017
	3/4"	PTHD05-075	19	PTHD05-019
	7/8"	PTHD05-088	22	PTHD05-022
	1"	PTHD05-100	24	PTHD05-024
	1 1/8"	PTHD05-113	27	PTHD05-027
	1 1/4"	PTHD05-125	30	PTHD05-030
	1 3/8"	PTHD05-138	32	PTHD05-032
PTSD08	7/8"	PTHD08-088	22	PTHD08-022
	1"	PTHD08-100	24	PTHD08-024
	1 1/8"	PTHD08-113	27	PTHD08-027
	1 1/4"	PTHD08-125	30	PTHD08-030
	1 3/8"	PTHD08-138	32	PTHD08-032
	1 1/2"	PTHD08-150	36	PTHD08-036
	1 5/8"	PTHD08-163	41	PTHD08-041
PTSD10	1 1/8"	PTHD10-113	27	PTHD10-027
	1 1/4"	PTHD10-125	30	PTHD10-030
	1 3/8"	PTHD10-138	32	PTHD10-032
	1 1/2"	PTHD10-150	36	PTHD10-036
	1 5/8"	PTHD10-163	41	PTHD10-041
	1 3/4"	PTHD10-175	46	PTHD10-046
	PTSD16	1 1/4"	PTHD16-125	30
1 3/8"		PTHD16-138	32	PTHD16-032
1 1/2"		PTHD16-150	36	PTHD16-036
1 5/8"		PTHD16-163	41	PTHD16-041
1 3/4"		PTHD16-175	46	PTHD16-046
1 7/8"		PTHD16-188	50	PTHD16-050
PTSD20		1 3/8"	PTHD20-138	32
	1 1/2"	PTHD20-150	36	PTHD20-036
	1 5/8"	PTHD20-163	41	PTHD20-041
	1 3/4"	PTHD20-175	46	PTHD20-046
	1 7/8"	PTHD20-188	50	PTHD20-050
	2"	PTHD20-200	55	PTHD20-055

Wrench Model	Hex Size A/F (in)	Part No.	Hex Size A/F (mm)	Part No.
PTSD28	1 1/2"	PTHD28-150	36	PTHD28-036
	1 5/8"	PTHD28-163	41	PTHD28-041
	1 3/4"	PTHD28-175	46	PTHD28-046
	1 7/8"	PTHD28-188	50	PTHD28-050
	2"	PTHD28-200	55	PTHD28-055
	2 1/4"	PTHD28-225	60	PTHD28-060
PTSD36	1 1/2"	PTHD36-150	36	PTHD36-036
	1 5/8"	PTHD36-163	41	PTHD36-041
	1 3/4"	PTHD36-175	46	PTHD36-046
	1 7/8"	PTHD36-188	50	PTHD36-050
	2"	PTHD36-200	55	PTHD36-055
	2 1/4"	PTHD36-225	60	PTHD36-060
PTSD50	2 1/2"	PTHD36-250	65	PTHD36-065
	1 1/2"	PTHD50-150	36	PTHD50-036
	1 5/8"	PTHD50-163	41	PTHD50-041
	1 3/4"	PTHD50-175	46	PTHD50-046
	1 7/8"	PTHD50-188	50	PTHD50-050
	2"	PTHD50-200	55	PTHD50-055
	2 1/4"	PTHD50-225	60	PTHD50-060
PTSD70	2 1/2"	PTHD50-250	65	PTHD50-065
	2 3/4"	PTHD50-275	70	PTHD50-070
	1 1/2"	PTHD70-150	36	PTHD70-036
	1 5/8"	PTHD70-163	41	PTHD70-041
	1 3/4"	PTHD70-175	46	PTHD70-046
	1 7/8"	PTHD70-188	50	PTHD70-050
	2"	PTHD70-200	55	PTHD70-055
PTSD70	2 1/4"	PTHD70-225	60	PTHD70-060
	2 1/2"	PTHD70-250	65	PTHD70-065
	2 3/4"	PTHD70-275	70	PTHD70-070



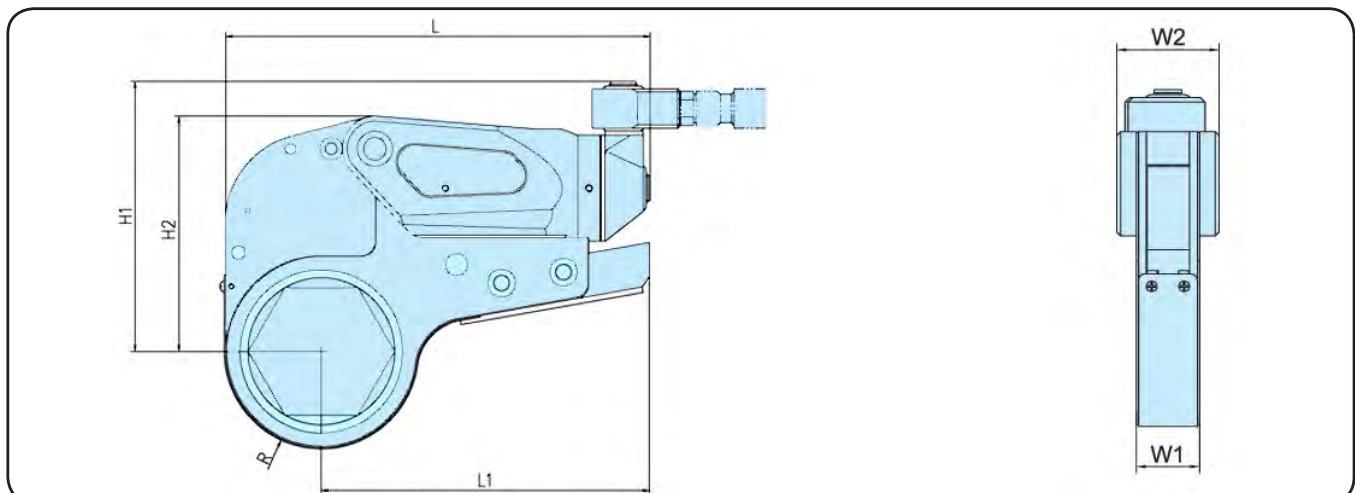
MODEL: PTLC - SERIES

- ProTorc PTLC Low Clearance Hydraulic Torque Wrenches are manufactured using high grade aluminium-titanium alloy and high strength alloy
- Equipped with a 360 x 270 degree uni-swivel coupling eradicating hose kinking
- The tools ultra-thin profile and light weight enables it to be used in confined areas where access may be restricted
- Required torque is maintained due to the anti-reverse pawl design which prevents the ratchet returning
- Torsion resistant housing and torsion free operation
- Quick-Torc lever design enables rapid cycle
- User friendly design enables fast switching of cassette links
- Comes with convenient carry case
- Two Year Manufacturers Warranty*



		PTLC02	PTLC05	PTLC10	PTLC20	PTLC25	PTLC40
Max. Torque	Nm	2534	5392	10452	16245	22899	40639
	ft/lbs	1870	3979	7714	11989	16900	29992
Min. Torque	Nm	244	489	1017	1724	2247	4064
	ft/lbs	180	361	751	1272	1658	2999
Hex Size (mm)		27 - 50	27 - 65	50 - 90	85 - 115	95 - 135	100 - 155
Head Part No.		PTLCH02	PTLCH05	PTLCH10	PTLCH20	PTLCH25	PTLCH40
Link Part No.		PTLCL02-***	PTLCL05-***	PTLCL10-***	PTLCL20-***	PTLCL25-***	PTLCL40-***
L (mm)		205	251.3	302.5	367	400.5	457.5
L1 (mm)		147	188	233	283	308	364
H1 (mm)		129	163	191	223	246	282
H2 (mm)		100	136	166.5	198	224	265
W1 (mm)		32	41	53	64	70	84
W2 (mm)		50	66	83	99	110	132
R (mm)		41.3	53.8	68.8	85.3	98.8	115.8
Weight (kg)		2.2	5	9.6	16.9	22.9	38

*** Please refer to Hex Links & Reducers information on Pg: 68-69



* Conditions apply - contact us for more information

MODEL: PTLCL - SERIES

- Manufactured from high strength alloy steel
- Reducers comply with DIN Standard 3121 and 3129
- Contact us for availability of custom and non-standard Hex Links and Reducers



Wrench Model	Hex Link	Hex Size (mm)	Reducer Model					
			Part No.	A/B (mm)	Part No.	A/B (mm)	Part No.	A/B (mm)
PTLCL02	PTLCL02-27	27	-	-	-	-	-	-
	PTLCL02-30	30	-	-	-	-	-	-
	PTLCL02-32	32	PTLCR02-3227	32/27	-	-	-	-
	PTLCL02-36	36	PTLCR02-3627	36/27	PTLCR02-3630	36/30	-	-
	PTLCL02-41	41	PTLCR02-4127	41/27	PTLCR02-4130	41/30	PTLCR02-4132	41/32
	PTLCL02-46	46	PTLCR02-4630	46/30	PTLCR02-4632	46/32	PTLCR02-4636	46/36
	PTLCL02-50	50	PTLCR02-5032	50/32	PTLCR02-5036	50/36	PTLCR02-5041	50/41

Wrench Model	Hex Link	Hex Size (mm)	Reducer Model					
			Part No.	A/B (mm)	Part No.	A/B (mm)	Part No.	A/B (mm)
PTLCL05	PTLCL05-27	27	-	-	-	-	-	-
	PTLCL05-30	30	-	-	-	-	-	-
	PTLCL05-32	32	PTLCR05-3227	32/27	-	-	-	-
	PTLCL05-36	36	PTLCR05-3627	36/27	PTLCR05-3630	36/30	-	-
	PTLCL05-41	41	PTLCR05-4127	41/27	PTLCR05-4130	41/30	PTLCR05-4132	41/32
	PTLCL05-46	46	PTLCR05-4630	46/30	PTLCR05-4632	46/32	PTLCR05-4636	46/36
	PTLCL05-50	50	PTLCR05-5032	50/32	PTLCR05-5036	50/36	PTLCR05-5041	50/41
	PTLCL05-55	55	PTLCR05-5536	55/36	PTLCR05-5541	55/41	PTLCR05-5546	55/46
	PTLCL05-60	60	PTLCR05-6041	60/41	PTLCR05-6046	60/46	PTLCR05-6050	60/50
	PTLCL05-65	65	PTLCR05-6546	65/46	PTLCR05-6550	65/50	PTLCR05-6555	65/55

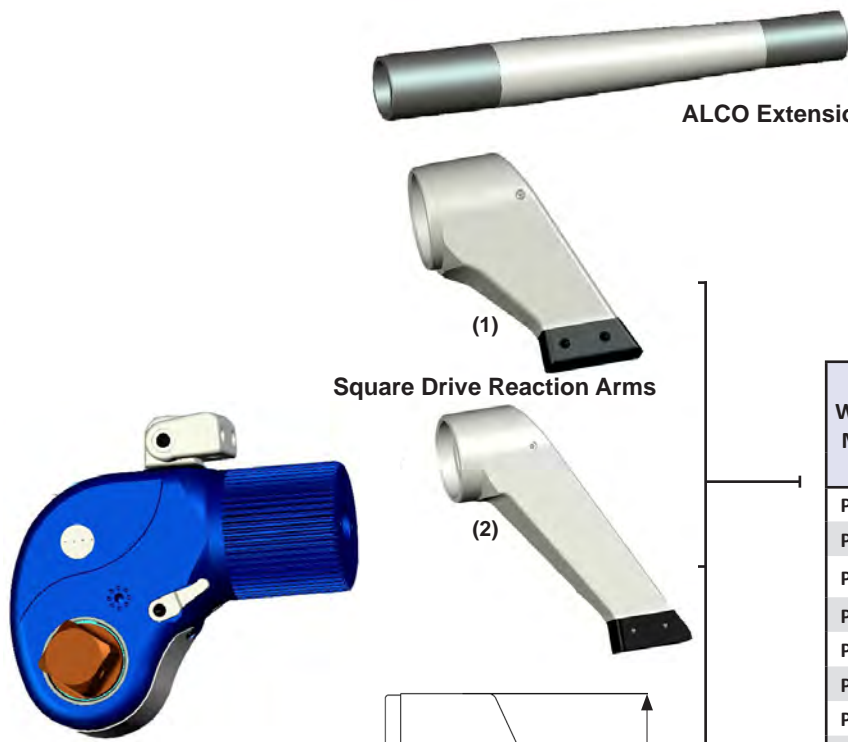
Wrench Model	Hex Link	Hex Size (mm)	Reducer Model					
			Part No.	A/B (mm)	Part No.	A/B (mm)	Part No.	A/B (mm)
PTLCL10	PTLCL10-50	50	-	-	-	-	-	-
	PTLCL10-55	55	PTLCR10-5541	55/41	PTLCR10-5546	55/46	-	-
	PTLCL10-60	60	PTLCR10-6046	60/46	PTLCR10-6050	60/50	-	-
	PTLCL10-65	65	PTLCR10-6546	65/46	PTLCR10-6550	65/50	PTLCR10-6555	65/55
	PTLCL10-70	70	PTLCR10-7050	70/50	PTLCR10-7055	70/55	PTLCR10-7060	70/60
	PTLCL10-75	75	PTLCR10-7555	75/55	PTLCR10-7560	75/60	PTLCR10-7565	75/65
	PTLCL10-80	80	PTLCR10-8060	80/60	PTLCR10-8065	80/65	PTLCR10-8070	80/70
	PTLCL10-85	85	PTLCR10-8565	85/65	PTLCR10-8570	85/70	PTLCR10-8575	85/75
	PTLCL10-90	90	PTLCR10-9070	90/70	PTLCR10-9075	90/75	PTLCR10-9080	90/80

Wrench Model	Hex Link	Hex Size (mm)	Reducer Model					
			Part No.	A/B (mm)	Part No.	A/B (mm)	Model	A/B (mm)
PTLCL20	PTLCL20-65	65	-	-	-	-	-	-
	PTLCL20-70	70	-	-	-	-	-	-
	PTLCL20-75	75	PTLCR20-7565	75/65	-	-	-	-
	PTLCL20-80	80	PTLCR20-8065	80/65	PTLCR20-8070	80/70	-	-
	PTLCL20-85	85	PTLCR20-8565	85/65	PTLCR20-8570	85/70	PTLCR20-8575	85/75
	PTLCL20-90	90	PTLCR20-9070	90/70	PTLCR20-9075	90/75	PTLCR20-9080	90/80
	PTLCL20-95	95	PTLCR20-9575	95/75	PTLCR20-9580	95/80	PTLCR20-9585	95/85
	PTLCL20-100	100	PTLCR20-10080	100/80	PTLCR20-10085	100/85	PTLCR20-10090	100/90
	PTLCL20-105	105	PTLCR20-10585	105/85	PTLCR20-10590	105/90	PTLCR20-10595	105/95
	PTLCL20-110	110	PTLCR20-11090	110/90	PTLCR20-11095	110/95	PTLCR20-110100	110/100
	PTLCL20-115	115	PTLCR20-11595	115/95	PTLCR20-115100	115/100	PTLCR20-115105	115/105

Wrench Model	Hex Link	Hex Size (mm)	Reducer Model					
			Part No.	A/B (mm)	Part No.	A/B (mm)	Part No.	A/B (mm)
PTLCL25	PTLCL25-75	75	-	-	-	-	-	-
	PTLCL25-80	80	-	-	-	-	-	-
	PTLCL25-85	85	PTLCR25-8575	85/75	-	-	-	-
	PTLCL25-90	90	PTLCR25-9075	90/75	PTLCR25-9080	90/80	-	-
	PTLCL25-95	95	PTLCR25-9575	95/75	PTLCR25-9580	95/80	PTLCR25-9585	95/85
	PTLCL25-100	100	PTLCR25-10080	100/80	PTLCR25-10085	100/85	PTLCR25-10090	100/90
	PTLCL25-105	105	PTLCR25-10585	105/85	PTLCR25-10590	105/90	PTLCR25-10595	105/95
	PTLCL25-110	110	PTLCR25-11090	110/90	PTLCR25-11095	110/95	PTLCR25-110100	110/100
	PTLCL25-115	115	PTLCR25-11595	115/95	PTLCR25-115100	115/100	PTLCR25-115105	115/105
	PTLCL25-120	120	PTLCR25-120100	120/100	PTLCR25-120105	120/105	PTLCR25-120110	120/110
	PTLCL25-130	130	PTLCR25-130110	130/110	PTLCR25-130115	130/115	PTLCR25-130120	130/120
	PTLCL25-135	135	PTLCR25-135115	135/115	PTLCR25-135120	135/120	PTLCR25-135130	135/130

Wrench Model	Hex Link	Hex Size (mm)	Reducer Model					
			Part No.	A/B (mm)	Part No.	A/B (mm)	Part No.	A/B (mm)
PTLCL40	PTLCL40-80	80	-	-	-	-	-	-
	PTLCL40-85	85	-	-	-	-	-	-
	PTLCL40-90	90	PTLCR40-9080	90/80	-	-	-	-
	PTLCL40-95	95	PTLCR40-9580	95/80	PTLCR40-9585	95/85	-	-
	PTLCL40-100	100	PTLCR40-10080	100/80	PTLCR40-10085	100/85	PTLCR40-10090	100/90
	PTLCL40-105	105	PTLCR40-10590	105/90	PTLCR40-10595	105/95	PTLCR40-105100	105/100
	PTLCL40-110	110	PTLCR40-11090	110/90	PTLCR40-11095	110/95	PTLCR40-110100	110/100
	PTLCL40-115	115	PTLCR40-11595	115/95	PTLCR40-115100	115/100	PTLCR40-115105	115/105
	PTLCL40-120	120	PTLCR40-120100	120/100	PTLCR40-120105	120/105	PTLCR40-120110	120/110
	PTLCL40-130	130	PTLCR40-130110	130/110	PTLCR40-130115	130/115	PTLCR40-130120	130/120
	PTLCL40-145	145	PTLCR40-145115	145/115	PTLCR40-145120	145/120	PTLCR40-145130	145/130
	PTLCL40-155	155	PTLCR40-155120	155/120	PTLCR40-155130	155/130	PTLCR40-155145	155/145

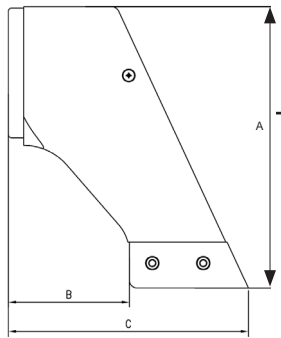
SUIT SERIES PTSD



ALCO Extension Arms

Square Drive Reaction Arms

Square Drive Reaction Sleeve with Foot



Wrench Model	Part No.		
	300mm	400mm	550mm
PTSD02	162001	162002	162003
PTSD05	162004	162005	162006
PTSD08	162007	162008	162009
PTSD10	162010	062011	162012
PTSD16	162013	162014	162015
PTSD20	162016	162017	162018
PTSD28	162019	162020	162021
PTSD36	162022	162023	162024
PTSD50	162025	162026	162027
PTSD70	162028	162029	162030

Wrench Model	Standard Reaction Arm (1) Part No.	Standard Reaction Arm (1) - mm			Extended Reaction Arm (2) Part No.	Extended Reaction Arm (2) - mm		
		A	B	C		A	B	C
PTSD02	162071	129	47	97	163258	199	75	125
PTSD05	162124	166	73	143	163259	236	106	176
PTSD08	162178	192	83	163	163260	262	114	194
PTSD10	162231	222	95	185	163261	292	126	216
PTSD16	162284	235	94	184	163262	305	124	214
PTSD20	162337	273	94	184	163263	343	142	247
PTSD28	162390	285	130	250	163264	355	166	286
PTSD36	162443	322	118	248	163265	392	149	279
PTSD50	162496	330	128	266	163266	400	158	296
PTSD70	162549	349	140	283	163267	419	170	313

Wrench Model	Part No.
PTSD02	163268
PTSD05	163269
PTSD08	163270
PTSD10	163271
PTSD16	163272
PTSD20	163273
PTSD28	163274
PTSD36	163275
PTSD50	163276
PTSD70	163277

SUIT SERIES PTLC



Low Clearance Extended Reaction Arms

Wrench Model	Part No. (Length 550mm)
PTLC02	163246
PTLC05	163247
PTLC10	163248
PTLC20	163249
PTLC25	163250
PTLC40	163251

Low Clearance Reaction Pad

Wrench Model	Part No.	Dimension (mm)		
		L	W	H
PTLC02	163252	110	26	38
PTLC05	163253	143	32	51
PTLC10	163254	181	45	64
PTLC20	163255	229	64	76
PTLC25	163256	284	83	100
PTLC40	163257	361	111	127

MODEL: PE08TW8

- Efficient three-stage pump design
- Heavy duty pendent with 6.4m cable
- External adjustable pressure regulator
- Aluminium titanium pump body for light weight portability
- Adjustable output pressure range of 40-700 bar
- Brushless high power motor for easy maintenance
- Starts under load
- Built in cooler comes standard and is automatically activated at 35 Degrees Celsius
- Internal Relief Valve for retract side to protect tool
- Fitted with heavy duty Roll Frame
- Fitted with 700 bar Gauge



MODEL: RWP55

- Use where air is the preferred power source
- Powerful 2.2Kw motor starts under load
- External adjustable pressure regulator
- Retract side internal relief valve protects tool
- Safe to use in hazardous or explosive environments
- Four tool manifold option available
- Filter Regulator/ Lubricators available
- Available with NATA traceable and certified gauges



Part No	Manifold	Oil Delivery (L/min)	Oil Reservoir (L)	Usable Oil (L)	Overall Width (mm)	Overall Length (mm)	Overall Height (mm)	Weight w/oil (kg)
PE08TW8	Half Tool	8 @ 7 bar 0.8 @ 700 bar	8.2	7.6	310	400	440	27.5
RWP55	Single Tool	7.6 @ 7 bar 0.9 @ 700 bar	9.5	8.4	450	280	483	44



TWH20-VIC



TWH20-VIC-S

700 BAR TWIN LINE HYDRAULIC HOSE

- 1/4" high pressure polyurethane hydraulic hose with polyimide core reinforced by two spiral layers and two open spiral layers of high tensile steel
- 4:1 Safety Factor
- 20' (6m) length as standard - custom lengths available upon request
- Fitted with zinc plated 1/4" NPT Male couplings and dust caps
- Equipped with hose guards to increase user safety
- Available with MDG41 compliant burst sleeves (TWH20-VIC-S)

Model	Description
TWH20-VIC	6M Twin line hose complete with 1/4" couplings
TWH20-VIC-S	6M Twin line hose complete with 1/4" couplings fitted with burst sleeve

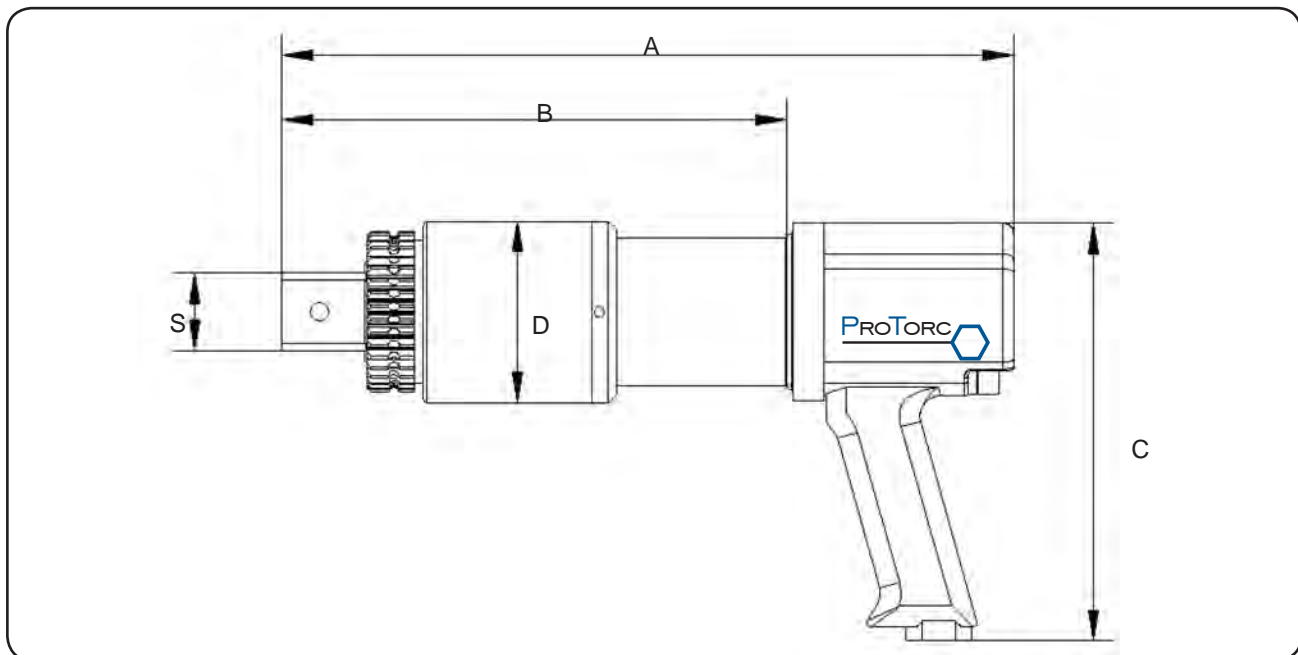
MODEL: PTP - SERIES

- Powered by the reliable Ingersoll Rand (IR) Air Motor
- Torque output is consistently repeatable
- Steel adaption plate enables tool to be used underground
- Heat treated and hardened hex drive for superior longevity
- All models include a FRL & 12' air hose
- Support handle supplied with models PTP35 and above
- Accuracy level of +/- 5%
- Includes standard reaction arm
- Comes with convenient carry case
- Two Year Manufacturers Warranty*



		PTP10	PTP18	PTP22	PTP35	PTP45	PTP55	PTP75	PTP100	PTP120
Max. Torque	Nm	1107	1830	2175	3539	4500	5727	7703	11920	12713
	ft/lbs	816	1350	1604	2610	3319	4224	5681	8792	9377
Min. Torque	Nm	120	174	191	696	1113	1870	1987	3847	4216
	ft/lbs	89	128	141	513	821	1379	1466	2837	3110
Air Pressure (bar)	Min.	1	1	1	1.5	1.5	2	2	2	2
	Max.	6	6	6	6	6	6	6	6	6
Square Drive (S)		¾"	1"	1"	1"	1"	1½"	1½"	1½"	1½"
A (mm)		285	312	312	346	367	385	392	411	411
B (mm)		175	202	202	236	257	275	282	301	301
C (mm)		195	195	195	195	195	195	195	195	195
D (mm)		74	77	77	81	88	113	120	128	128
Weight (kg) **		5.2	6.2	6.2	7.8	9.4	14.3	15.8	19	19

** Does not include reaction arm



* Conditions apply - contact ProTorc for more information

MODEL: PTPR - SERIES

- PTP reaction arms are compatible with large socket sizes
- Reaction arms utilise a slim line design improving versatility & reducing overall tool weight
- Custom and non-standard reaction arms available

	Standard Angle	Deep Angle	90° Angle	90° Deep	Double Ended Angle
PTP10	PTPR10S	PTPR10D	PTPR1090S	PTPR1090D	PTPR10DA
PTP18	PTPR1822S	PTPR1822D	PTPR182290S	PTPR182290D	PTPR1822DA
PTP22					
PTP35	PTPR3545S	PTPR3545D	PTPR354590S	PTPR354590D	PTPR3545DA
PTP45					
PTP55	PTPR55S	PTPR55D	PTPR5590S	PTPR5590D	PTPR55DA
PTP75	PTPR75S	PTPR75D	PTPR7590S	PTPR7590D	PTPR75DA
PTP100					
PTP120	PTPR100120S	PTPR100120D	PTPR10012090S	PTPR10012090D	PTPR100120DA

	Single Blank	Double Blank	Sliding	Nose Ext. 12"	Nose Ext. 18"
PTP10	PTPR10SB	PTPR10DB	PTPR10SL	PTPR10E12	PTPR10E18
PTP18	PTPR1822SB	PTPR1822DB	PTPR1822SL	PTPR1822E12	PTPR1822E18
PTP22					
PTP35	PTPR3545SB	PTPR3545DB	PTPR3545SL	PTPR3545E12	PTPR3545E18
PTP45					
PTP55	PTPR55SB	PTPR55DB		PTPR55E12	PTPR55E18
PTP75	PTPR75SB	PTPR75DB	Contact us for larger sliding reaction arms	PTPR75E12	PTPR75E18
PTP100					
PTP120	PTPR100120SB	PTPR100120DB		PTPR100120E12	PTPR100120E18

Part Number	Tool Model	Min CTRS (mm)	Max CTRS (mm)
PTPR10SL	PTP10	60	180
PTPR1822SL	PTP18	80	260
	PTP22		
PTPR3545SL	PTP35	80	180
	PTP45		

Pressure (Bar)	Pressure (PSI)	PTSD02 Torque (Nm)	PTSD05 Torque (Nm)	PTSD08 Torque (Nm)	PTSD10 Torque (Nm)	PTSD16 Torque (Nm)	PTSD20 Torque (Nm)	PTSD28 Torque (Nm)	PTSD36 Torque (Nm)	PTSD50 Torque (Nm)	PTSD70 Torque (Nm)
70	1015	164	433	742	1015	1509	1940	2504	3309	4741	6925
80	1160	187	495	848	1160	1724	2218	2862	3782	5419	7914
90	1305	211	557	954	1305	1940	2495	3219	4254	6096	8903
100	1450	234	619	1060	1450	2155	2772	3577	4727	6773	9892
110	1595	258	681	1166	1584	2373	3040	3938	5245	7451	10882
120	1740	282	743	1272	1728	2591	3307	4299	5763	8128	11871
130	1885	305	805	1378	1872	2810	3575	4661	6282	8806	12860
140	2031	329	866	1484	2016	3028	3842	5022	6800	9483	13849
150	2176	353	928	1590	2160	3246	4110	5383	7318	10160	14839
160	2321	378	990	1696	2304	3468	4378	5778	7817	10838	15828
170	2466	402	1052	1802	2448	3690	4645	6173	8315	11515	16817
180	2611	427	1114	1908	2592	3913	4913	6567	8814	12192	17806
190	2756	451	1176	2014	2736	4135	5180	6962	9312	12870	18796
200	2901	476	1238	2120	2880	4357	5448	7357	9811	13547	19785
210	3046	503	1300	2226	3045	4576	5739	7737	10319	14224	20774
220	3191	530	1361	2332	3190	4796	6030	8118	10827	14902	21763
230	3336	558	1423	2438	3335	5015	6320	8498	11334	15579	22753
240	3481	585	1485	2544	3480	5235	6611	8879	11842	16256	23742
250	3626	612	1547	2650	3625	5454	6902	9259	12350	16934	24731
260	3771	638	1609	2756	3770	5675	7164	9656	12879	17611	25720
270	3916	664	1671	2862	3915	5896	7427	10054	13407	18288	26709
280	4061	690	1733	2968	4060	6116	7689	10451	13936	18966	27699
290	4206	716	1795	3074	4205	6337	7952	10849	14464	19643	28688
300	4351	742	1857	3180	4350	6558	8214	11246	14993	20320	29677
310	4496	768	1918	3286	4549	6776	8481	11604	15464	20998	30666
320	4641	793	1980	3392	4696	6994	8749	11963	15936	21675	31656
330	4786	819	2042	3498	4843	7213	9016	12321	16407	22352	32645
340	4931	844	2104	3604	4990	7431	9284	12680	16879	23030	33634
350	5076	870	2166	3710	5136	7649	9551	13038	17350	23707	34623
360	5221	896	2228	3816	5283	7868	9798	13429	17844	24384	35613
370	5366	922	2290	3922	5430	8088	10045	13820	18337	25062	36602
380	5511	948	2352	4028	5577	8307	10291	14211	18831	25739	37591
390	5656	974	2414	4134	5723	8527	10538	14602	19324	26417	38580
400	5801	1000	2475	4240	5870	8746	10785	14993	19818	27094	39570
410	5947	1026	2537	4346	6050	8964	11064	15362	20312	27771	40559
420	6092	1052	2599	4452	6197	9182	11343	15731	20805	28449	41548
430	6237	1077	2661	4558	6345	9401	11623	16099	21299	29126	42537
440	6382	1103	2723	4664	6492	9619	11902	16468	21792	29803	43527
450	6527	1129	2785	4770	6640	9837	12181	16837	22286	30481	44516
460	6672	1154	2847	4876	6787	10054	12527	17221	22780	31158	45505
470	6817	1180	2909	4982	6935	10271	12872	17606	23273	31835	46494
480	6962	1205	2971	5088	7082	10488	13218	17990	23767	32513	47484
490	7107	1231	3032	5194	7230	10705	13563	18375	24260	33190	48473
500	7252	1256	3094	5300	7378	10922	13909	18759	24754	33867	49462
510	7397	1282	3156	5406	7599	11134	14158	19143	25248	34545	50451
520	7542	1308	3218	5512	7748	11345	14407	19528	25741	35222	51440
530	7687	1333	3280	5618	7897	11557	14657	19912	26235	35899	52430
540	7832	1359	3342	5724	8046	11768	14906	20297	26728	36577	53419
550	7977	1385	3404	5830	8195	11980	15155	20681	27222	37254	54408
560	8122	1411	3466	5936	8344	12189	15414	21065	27716	37931	55397
570	8267	1437	3527	6042	8493	12398	15672	21450	28209	38609	56387
580	8412	1462	3589	6148	8642	12607	15931	21834	28703	39286	57376
590	8557	1488	3651	6254	8791	12816	16189	22219	29196	39963	58365
600	8702	1514	3713	6360	8940	13025	16448	22603	29690	40641	59354
610	8847	1539	3775	6466	9089	13237	16726	22987	30184	41318	60344
620	8992	1564	3837	6572	9238	13449	17004	23372	30677	41995	61333
630	9137	1590	3899	6678	9387	13660	17281	23756	31171	42673	62322
640	9282	1615	3961	6784	9536	13872	17559	24141	31664	43350	63311
650	9427	1640	4023	6890	9685	14084	17837	24525	32158	44028	64301
660	9572	1664	4084	6996	9834	14285	18151	24909	32652	44705	65290
670	9718	1688	4146	7102	9983	14486	18466	25294	33145	45382	66279
680	9863	1712	4208	7208	10132	14688	18780	25678	33639	46060	67268
690	10008	1736	4270	7314	10281	14889	19095	26063	34132	46737	68258
700	10153	1760	4332	7420	10430	15090	19409	26447	34626	47414	69247

Pressure (Bar)	Pressure (PSI)	PTLC02 Torque (Nm)	PTLC05 Torque (Nm)	PTLC10 Torque (Nm)	PTLC20 Torque (Nm)	PTLC25 Torque (Nm)	PTLC40 Torque (Nm)
70	1015	244	489	1017	1724	2247	4064
80	1160	278	558	1162	1991	2568	4645
90	1305	313	628	1308	2257	2889	5225
100	1450	348	698	1453	2523	3210	5806
110	1595	384	774	1595	2789	3544	6386
120	1740	421	851	1738	3055	3878	6967
130	1885	457	927	1880	3322	4212	7547
140	2031	494	1004	2023	3588	4546	8128
150	2176	530	1080	2165	3854	4880	8709
160	2321	567	1162	2314	4091	5212	9289
170	2466	604	1244	2463	4328	5544	9870
180	2611	641	1326	2612	4566	5876	10450
190	2756	678	1408	2761	4803	6208	11031
200	2901	715	1490	2910	5040	6540	11611
210	3046	749	1568	3052	5284	6871	12192
220	3191	784	1646	3194	5528	7202	12773
230	3336	818	1724	3336	5772	7532	13353
240	3481	853	1802	3478	6016	7863	13934
250	3626	887	1880	3620	6260	8194	14514
260	3771	923	1957	3758	6504	8517	15095
270	3916	958	2034	3896	6748	8841	15675
280	4061	994	2110	4033	6992	9164	16256
290	4206	1029	2187	4171	7236	9488	16837
300	4351	1065	2264	4309	7480	9811	17417
310	4496	1103	2343	4467	7622	10153	17998
320	4641	1141	2422	4625	7763	10494	18578
330	4786	1179	2502	4784	7905	10836	19159
340	4931	1217	2581	4942	8046	11177	19739
350	5076	1255	2660	5100	8188	11519	20320
360	5221	1292	2735	5246	8418	11867	20901
370	5366	1329	2810	5392	8648	12215	21481
380	5511	1366	2885	5538	8879	12563	22062
390	5656	1403	2960	5684	9109	12911	22642
400	5802	1440	3035	5830	9339	13259	23223
410	5947	1478	3123	6004	9569	13577	23803
420	6092	1517	3211	6178	9799	13895	24384
430	6237	1555	3299	6353	10030	14214	24965
440	6382	1594	3387	6527	10260	14532	25545
450	6527	1632	3475	6701	10490	14850	26126
460	6672	1669	3570	6846	10720	15186	26706
470	6817	1706	3665	6991	10950	15523	27287
480	6962	1744	3761	7135	11181	15859	27867
490	7107	1781	3856	7280	11411	16196	28448
500	7252	1818	3951	7425	11641	16532	29029
510	7397	1855	4017	7588	11871	16863	29609
520	7542	1891	4083	7751	12101	17194	30190
530	7687	1928	4148	7914	12332	17526	30770
540	7832	1964	4214	8077	12562	17857	31351
550	7977	2001	4280	8240	12792	18188	31931
560	8122	2032	4354	8378	13022	18476	32512
570	8267	2063	4428	8516	13252	18764	33093
580	8412	2094	4502	8654	13483	19053	33673
590	8557	2125	4576	8792	13713	19341	34254
600	8702	2156	4650	8930	13943	19629	34834
610	8847	2194	4721	9085	14173	19956	35415
620	8992	2232	4792	9240	14403	20283	35995
630	9137	2270	4863	9396	14634	20610	36576
640	9282	2308	4934	9551	14864	20937	37157
650	9427	2346	5005	9706	15094	21264	37737
660	9572	2384	5082	9855	15324	21591	38318
670	9718	2421	5160	10004	15554	21918	38898
680	9863	2459	5237	10154	15785	22245	39479
690	10008	2496	5315	10303	16015	22572	40059
700	10153	2534	5392	10452	16245	22899	40639

Hexagon Size (A/F) S (mm)	Thread Size D (mm)	Int. Hexagon Size J (mm)
17	M10	8
19	M12	10
22	M14	12
24	M16	14
27	M18	14
30	M20	17
34	M22	17
36	M24	19
41	M27	19
46	M30	22
50	M33	24
55	M36	27
60	M39	27 (30)
65	M42	32
70	M45	-
75	M48	36
80	M52	36
85	M56	41
90	M60	46
95	M64	50
100	M68	55
105	M72	60
110	M76	65
115	M80	70
120	M85	70 (75)
130	M90	-
135	M95	80
145	M100	-
150	M105	-
155	M110	-
165	M115	-
170	M120	-
180	M125	-
185	M130	-
200	M140	-
210	M150	-

Hexagon Size (A/F) S (inch)	Thread Size D (inch)	Int. Hexagon Size J (inch)
1 ¹ / ₁₆ "	1/2"	1/2"
1 ¹ / ₄ "	1/2"	1/2"
1 ⁷ / ₁₆ "	7/8"	3/4"
1 ⁵ / ₈ "	1"	3/4"
1 ¹³ / ₁₆ "	1 ⁷ / ₈ "	7/8"
2"	1 ¹ / ₄ "	7/8"
2 ³ / ₁₆ "	1 ³ / ₈ "	1"
2 ³ / ₈ "	1 ¹ / ₂ "	1"
2 ⁹ / ₁₆ "	1 ⁵ / ₈ "	-
2 ³ / ₄ "	1 ³ / ₄ "	1 ¹ / ₄ "
2 ¹⁵ / ₁₆ "	1 ⁷ / ₈ "	1 ³ / ₈ "
3"	2"	1 ¹ / ₂ "
3 ¹ / ₈ "	2"	1 ⁵ / ₈ "
3 ³ / ₈ "	2 ¹ / ₂ "	1 ³ / ₄ "
3 ¹ / ₂ "	2 ¹ / ₂ "	1 ³ / ₄ "
3 ³ / ₄ "	2 ¹ / ₂ "	1 ³ / ₄ "
3 ⁷ / ₈ "	2 ¹ / ₂ "	1 ⁷ / ₈ "
4 ¹ / ₈ "	2 ³ / ₄ "	2"
4 ¹ / ₄ "	2 ³ / ₄ "	2"
4 ⁵ / ₈ "	3"	2 ¹ / ₄ "
5"	3 ¹ / ₄ "	2 ¹ / ₄ "

- Use values as a guide only. Always check with the manufacturer of the bolt or equipment before use
- Refer to "Bolt & Nut Pre-tightening Force Chart" to determine the max torque of wrench required

Strength Grade		8.8		10.9		12.9	
Bolt	A/F (mm)	Torque		Torque		Torque	
		lbs.ft	Nm	lbs.ft	Nm	lbs.ft	Nm
M14	22	101	137	122	165	166	225
M16	24	152	206	182	247	268	363
M18	27	210	284	252	341	354	480
M20	30	297	402	420	569	499	677
M22	34	398	539	565	765	672	911
M24	36	506	686	724	981	868	1176
M27	41	759	1029	1086	1472	1302	1764
M30	46	904	1225	1448	1962	1736	2352
M33	50	1085	1470	1520	2060	1808	2450
M36	55	1302	1764	1810	2453	2170	2940
M39	60	1591	2156	2172	2943	2676	3626
M42	65	2025	2744	2824	3826	3399	4606
M45	70	2314	3136	3258	4415	3978	5390
M48	75	2893	3920	4127	5592	4918	6664
M52	80	3472	4704	4851	6573	6148	8330
M56	85	4412	5978	6227	8437	7594	10290
M60	90	5714	7742	7964	10791	9764	13230
M64	95	6509	8820	8855	11998	11066	14994
M68	100	7956	10780	10070	13645	12585	17053
M72	105	9330	12642	11459	15527	14321	19405
M76	110	10849	14700	13021	17644	16273	22050
M80	115	13380	18130	14426	19547	18029	24429
M85	120	16273	22050	15625	21172	19527	26459
M90	130	18081	24500	18751	25407	23433	31752
M100	145	20251	27440	24306	32935	30376	41160
M110	155	24156	32732	28994	39287	36235	49098
M120	170	29364	39788	35244	47756	44046	59682

- Use values as a guide only. Always check with the manufacturer of the bolt or equipment before use
- Figures represent the max torque of the bolt - the tightening torque is 80-90% of chart figures
- The recommended loosening torque is up to 150% of the tightening torque
- Load Sockets must comply with the appropriate standards e.g., DIN3121, DIN3129
- The above table shows German Standard (DIN) figures